

317 Electric

321 Electric

Spare parts

Ersatzteile

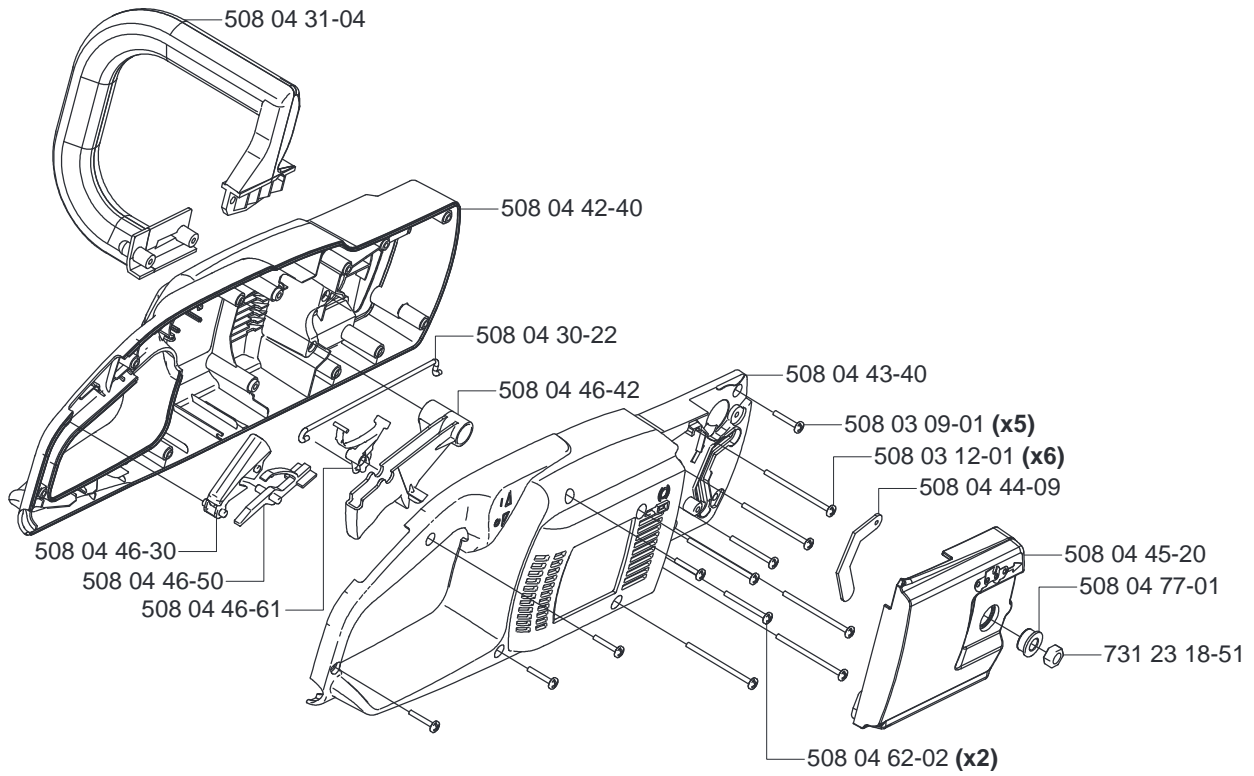
Pièces détachées

Reserve onderdelen

Repuestos

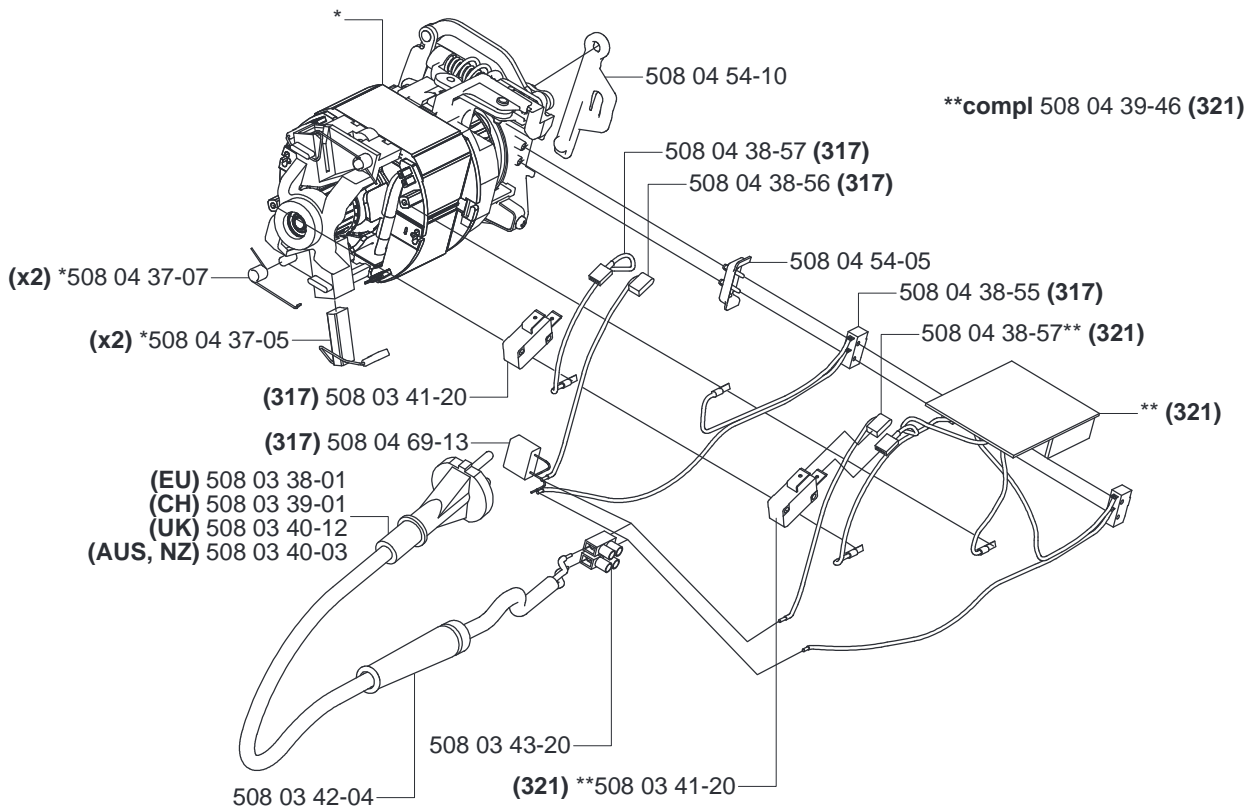
Reservdelar

A

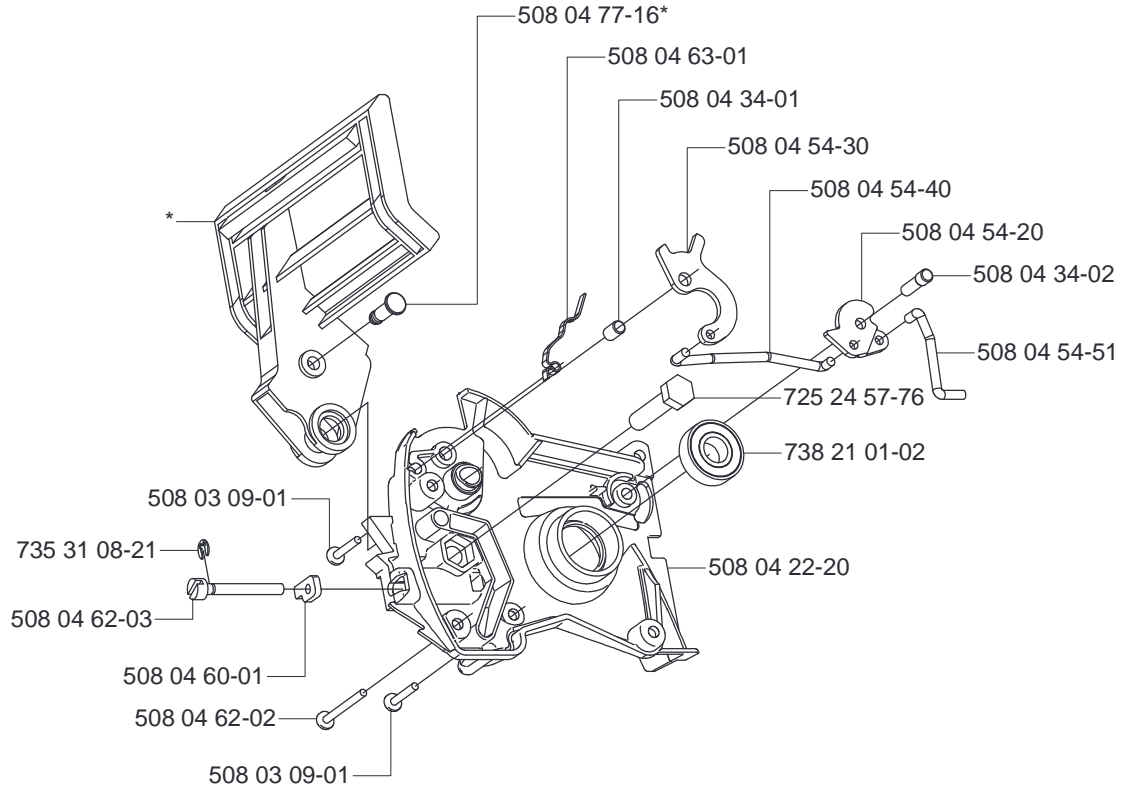


B

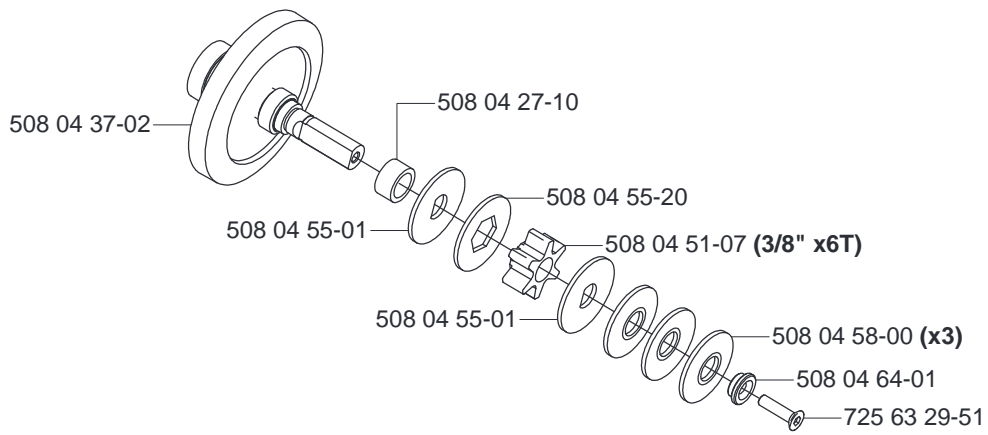
*compl 508 04 36-51 (321)
 *compl 508 04 36-50 (317)



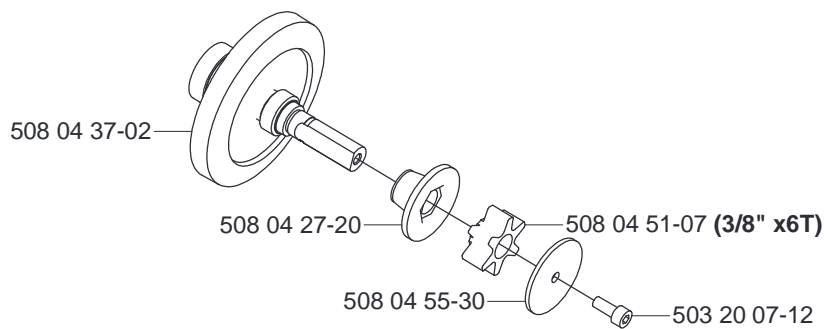
C *compl 508 04 23-23



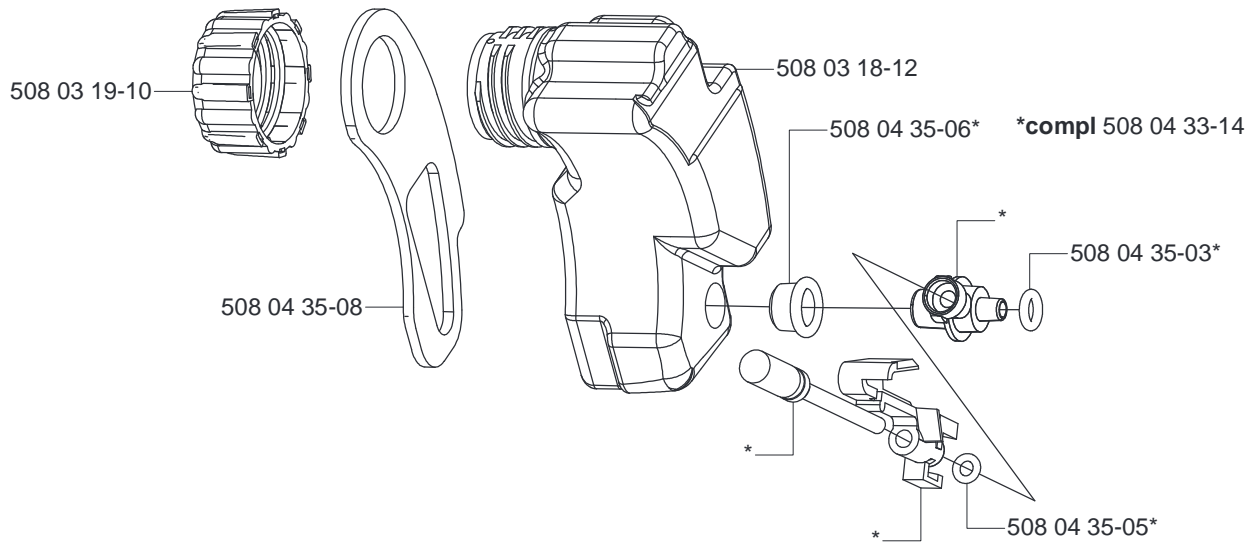
D 317



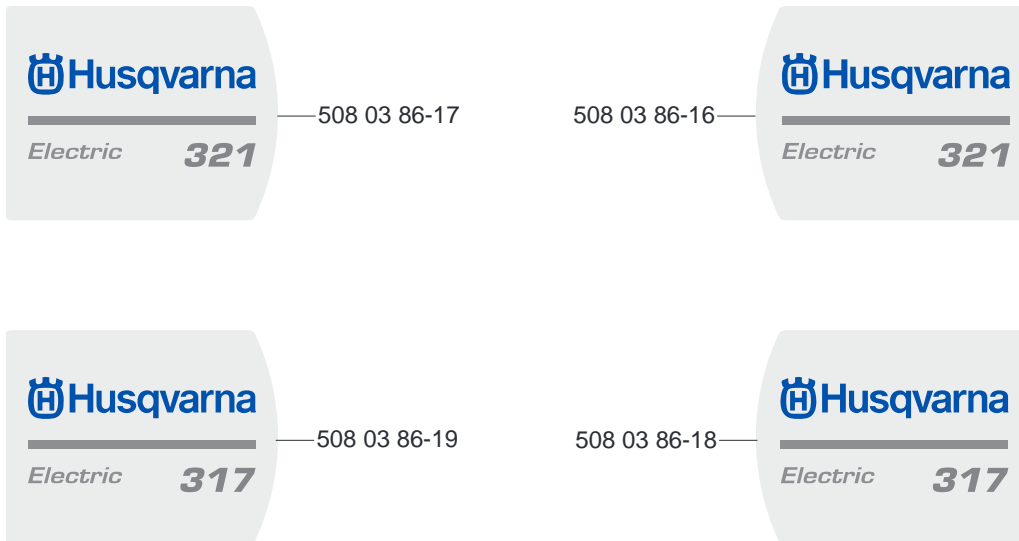
E 321



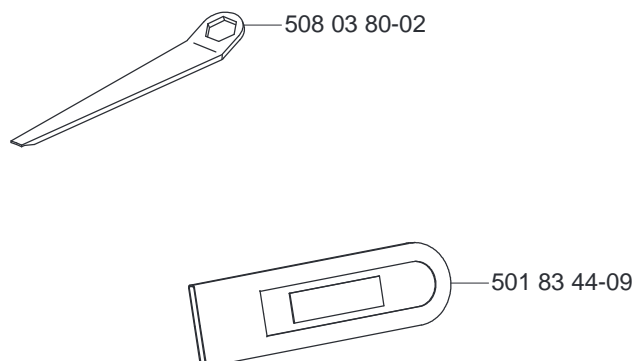
F



G



H Accessories Zubehöre Accessoires Acessorios Tillbehör



PART NUMBER	SQUARE	NOTE	PART NUMBER	SQUARE	NOTE	PART NUMBER	SQUARE	NOTE	PART NUMBER	SQUARE	NOTE
501 83 44-09	H		735 31 08-21	C							
503 20 07-12	E		738 21 01-02	C							
508 03 09-01	C										
508 03 12-01	A										
508 03 18-12	F										
508 03 19-10	F										
508 03 38-01	B										
508 03 39-01	B										
508 03 40-03	B										
508 03 40-12	B										
508 03 41-20	B										
508 03 42-04	B										
508 03 43-20	B										
508 03 80-02	H										
508 03 86-16	G										
508 03 86-17	G										
508 03 86-18	G										
508 03 86-19	G										
508 04 22-20	C										
508 04 23-23	C										
508 04 27-10	D										
508 04 27-20	E										
508 04 30-22	A	N									
508 04 31-04	A										
508 04 33-14	F										
508 04 34-01	C										
508 04 34-02	C										
508 04 35-03	F										
508 04 35-05	F										
508 04 35-06	F										
508 04 35-08	F										
508 04 36-50	B										
508 04 36-51	B										
508 04 37-02	D,E										
508 04 37-05	B										
508 04 37-07	B										
508 04 38-55	B										
508 04 38-56	B										
508 04 38-57	B										
508 04 39-46	B										
508 04 42-40	A										
508 04 43-40	A										
508 04 44-09	A										
508 04 45-20	A										
508 04 46-30	A										
508 04 46-42	A	N									
508 04 46-50	A										
508 04 46-61	A	N									
508 04 51-07	D,E										
508 04 54-05	B										
508 04 54-10	B										
508 04 54-20	C										
508 04 54-30	C										
508 04 54-40	C										
508 04 54-51	C	N									
508 04 55-01	D										
508 04 55-20	D										
508 04 55-30	E										
508 04 58-00	D										
508 04 60-01	C										
508 04 62-02	A,C										
508 04 62-03	C										
508 04 63-01	C										
508 04 64-01	D										
508 04 69-13	B										
508 04 77-01	A										
508 04 77-16	C										
725 24 57-76	C										
725 63 29-51	D										
731 23 18-51	A										

Set of gaskets, Dichtungssatz,
Jeu de joints, Juego de juntas,
Packningssats

N = New part, Neues teil,
Nouvelle piece, Nueva pieza
Ny detalj

