

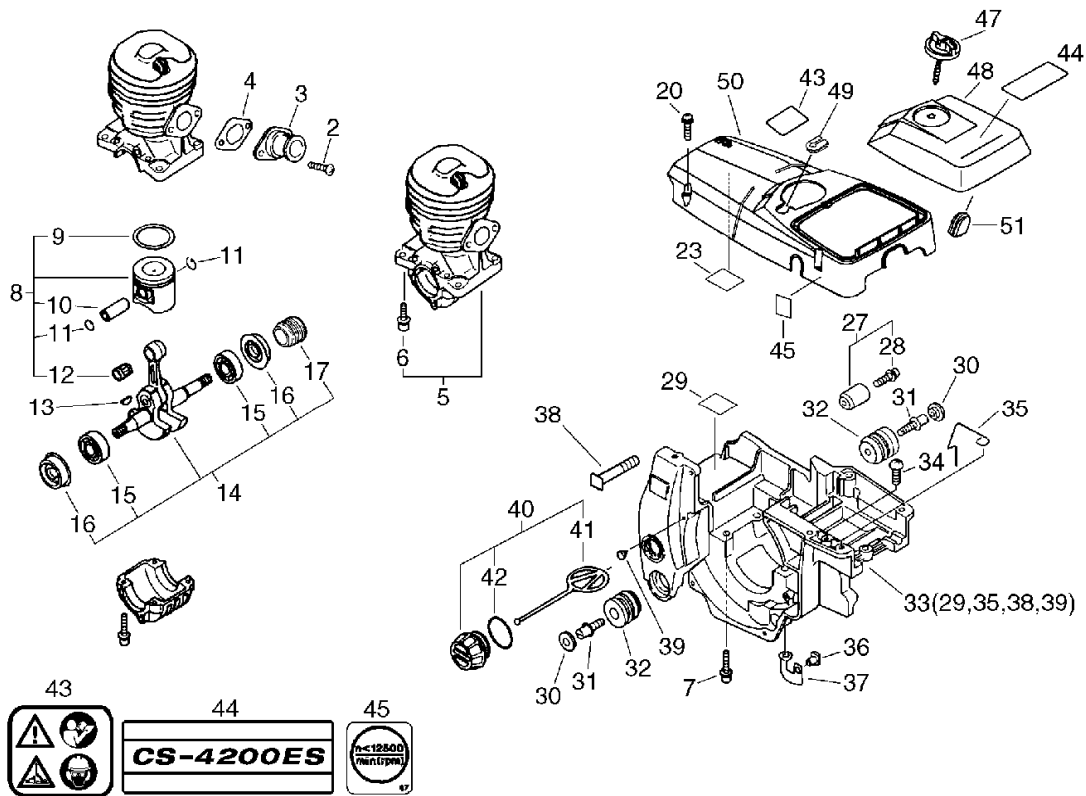


# **PARTS CATALOG**

## **CHAIN SAW CS-4200ES(36)**

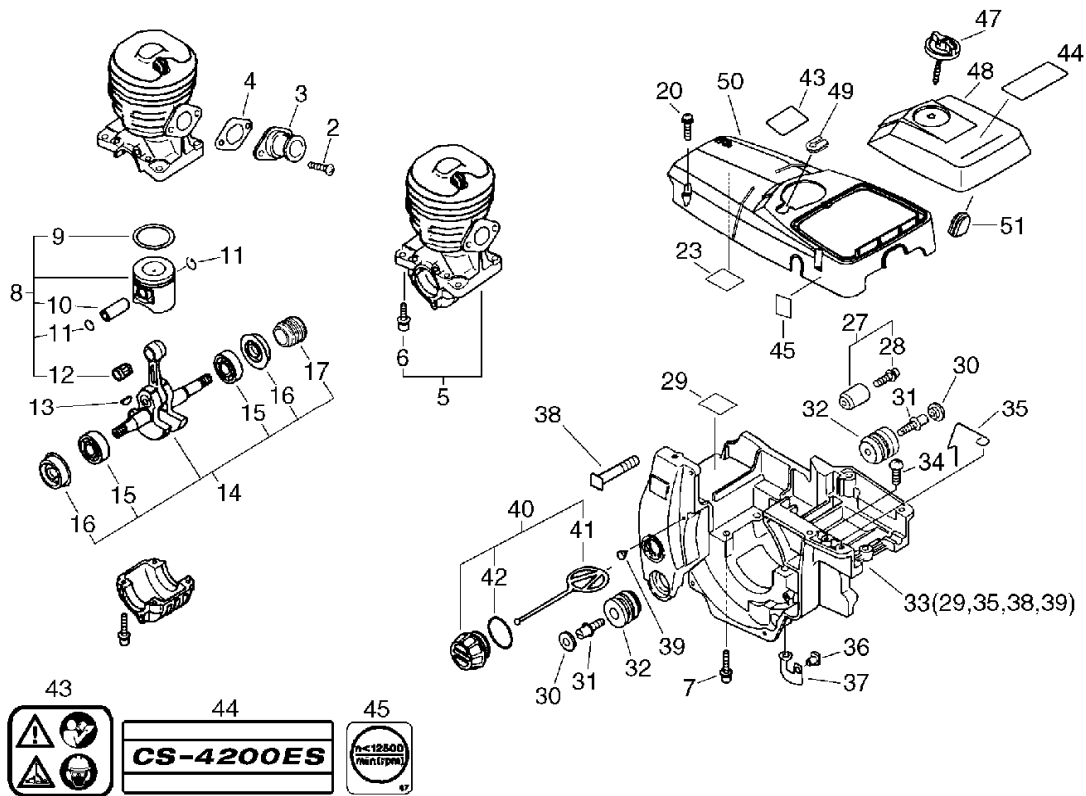
CS-4200ES(36)

1. Cylinder, Crankcase, Piston(Sr/Nr 36033993 and before)



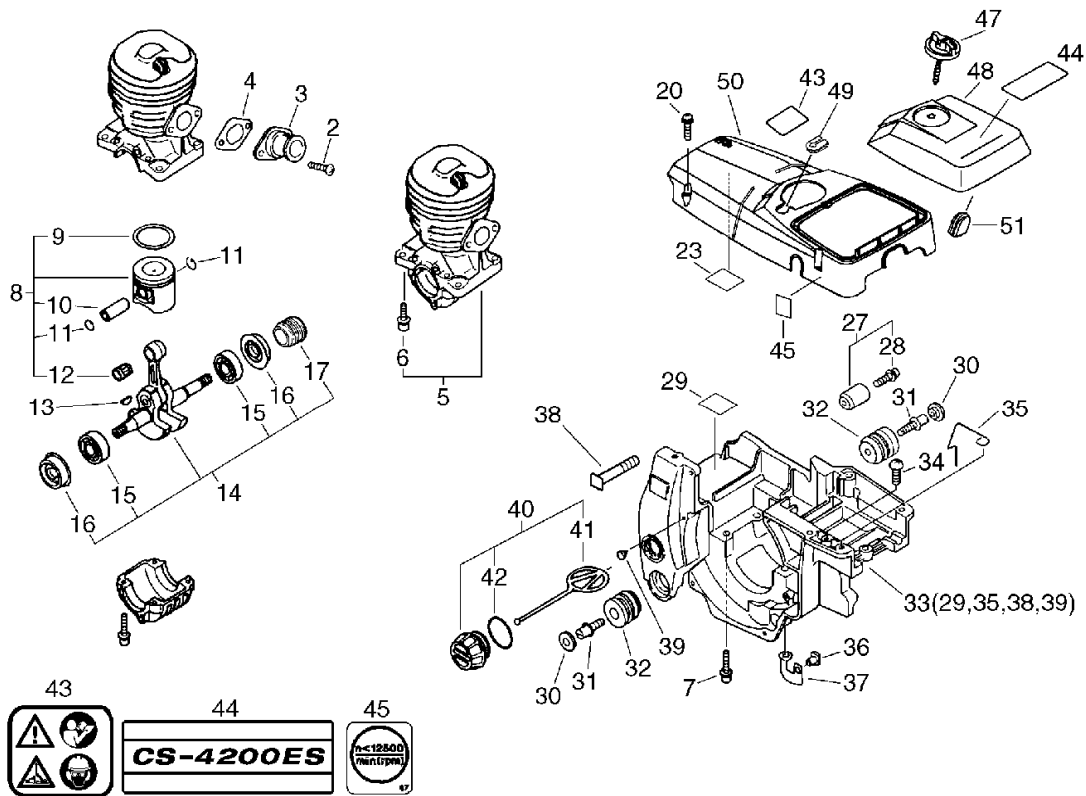
KEY	LV	PART NUMBER	Q'TY	DESCRIPTION	REMARKS	NOTE1	NOTE2
2		900238-05012	2	SCREW 5*12	5*12		
3		130510-39932	1	ADAPTER, INTAKE			
4		130016-39930	1	GASKET, INTAKE			
5		P021-004131	1	CRANKCASE SET			
6	+	900162-05022	4	BOLT, H.S. 5*22	5*22 W,SW		
7		900162-05030	4	BOLT, H.S. 5*30	5*30 W,SW		
8		100000-59531	1	PISTON KIT			
9	+	100011-37330	1	RING, PISTON			
10	+	100013-35430	1	PIN, PISTON	6*9*27.8		
11	+	100015-03931	2	CIRCLIP, PISTON PIN			
12	+	100012-35430	1	BEARING, NEEDLE	9*12*12		
13		100142-39130	1	KEY, WOODRUFF			
14		P021-007240	1	CRANKSHAFT ASY			
15	+	900888-36201	2	BEARING, BALL 6201	6201		
16	+	V505-000010	2	SEAL,OIL 12			
17	+	437063-38330	1	GEAR, WORM			
20		163890-38330	3	BOLT, 5			
23		101520-35430	1	COVER			
27		433000-60930	1	CATCHER KIT, CHAIN			
28	+	900253-05020	1	SCREW 5*20	5*20		
30		100918-19830	2	CAP, CUSHION			
31		100915-33930	2	SCREW			
32		100910-60030	2	CUSHION			
33		P021-007180	1	COVER, ENGINE		Sus. by P021-007181	
33		P021-007181	1	COVER, ENGINE			

1. Cylinder, Crankcase, Piston(Sr/Nr 36033993 and before)



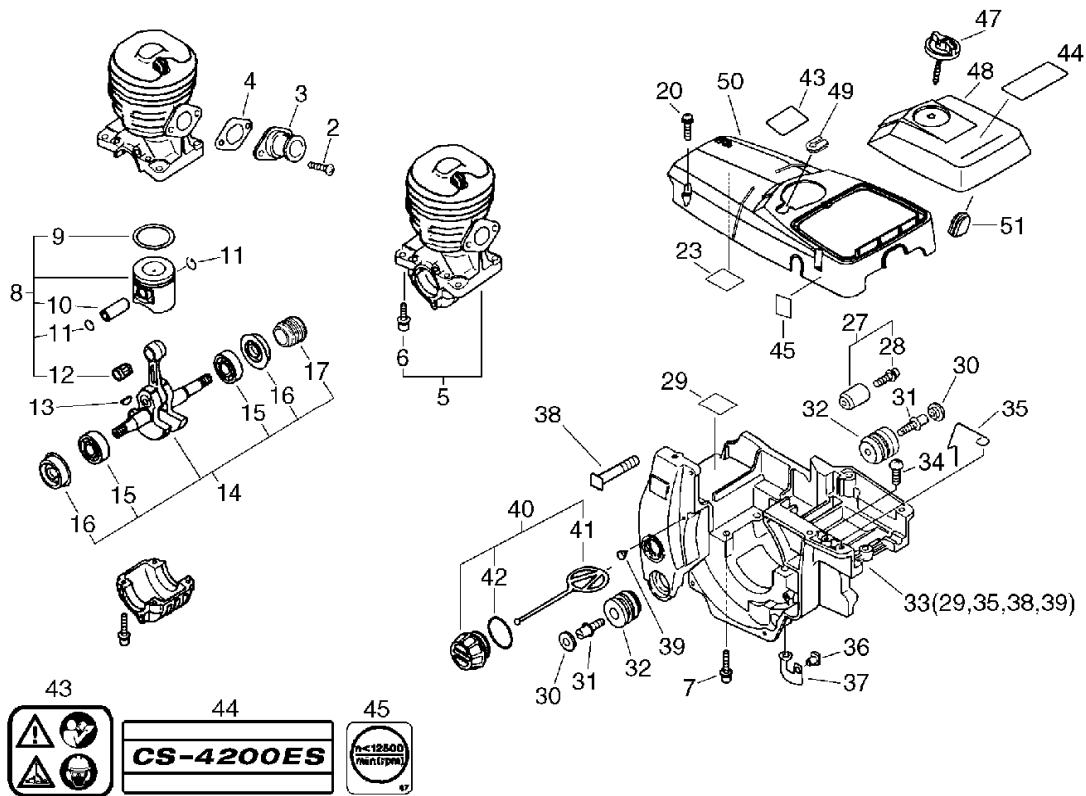
KEY	LV	PART NUMBER	Q'TY	DESCRIPTION	REMARKS	NOTE1	NOTE2
29	+	101520-35430	1	COVER			
35	+	606416-60631	1	WIRE			
38	+	433011-19830	2	STUD, GUIDE BAR			
39	+	436114-13930	1	VALVE, CHECK			
34		900253-04008	1	SCREW 4*8	4*8		
36		130020-60630	2	NUT 5			
37		162011-60630	1	PLATE, GROUND			
40		436001-65631	1	CAP, OIL		Sus. by 436001-39232	
40		436001-39232	1	CAP, OIL			
41	+	A365-000050	1	CONNECTOR,CAP			
42	+	900725-02025	1	O-RING	JASO 2025	Sus. by 900721-00025	
42	+	900721-00025	1	O-RING 25	G-25		
43		890345-39230	1	LABEL,CAUTION			
44		X503-006140	1	LABEL,MODEL	CS-4200ES	Sus. by X503-006141	
44		X503-006141	1	LABEL,MODEL	CSB4200 ES ST1		
45		890631-38130	1	LABEL, CAUTION			
47		A235-000020	1	KNOB,CLEANER LID			
48		A232-000020	1	LID,CLEANER		Sus. by A232-000021	
48		A232-000021	1	LID,CLEANER		Sus. by A232-000022	
49		V135-000010	1	GROMMET,HT CORD			

1. Cylinder, Crankcase, Piston(Sr/Nr 36033993 and before)



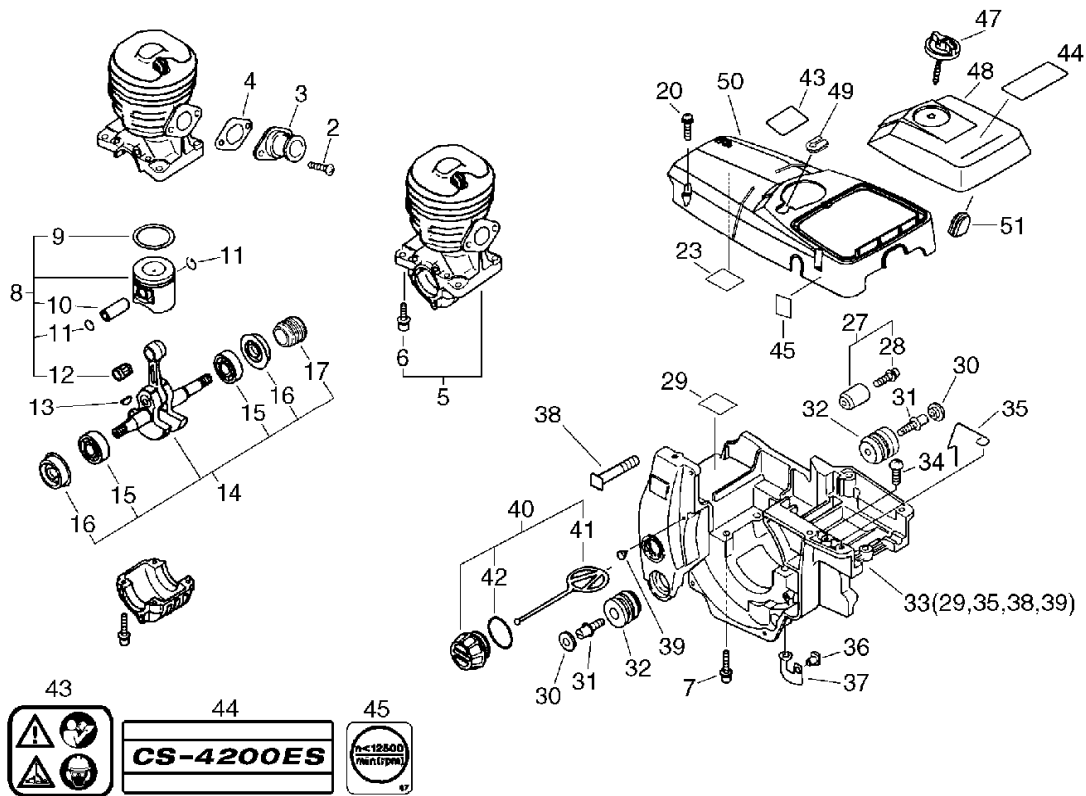
KEY	LV	PART NUMBER	Q'TY	DESCRIPTION	REMARKS	NOTE1	NOTE2
50		A160-000014	1	COVER,CYLINDER			
51		130338-32430	1	PLUG, COVER			

2. Cylinder, Crankcase, Piston(Sr/Nr 36033994 and after)



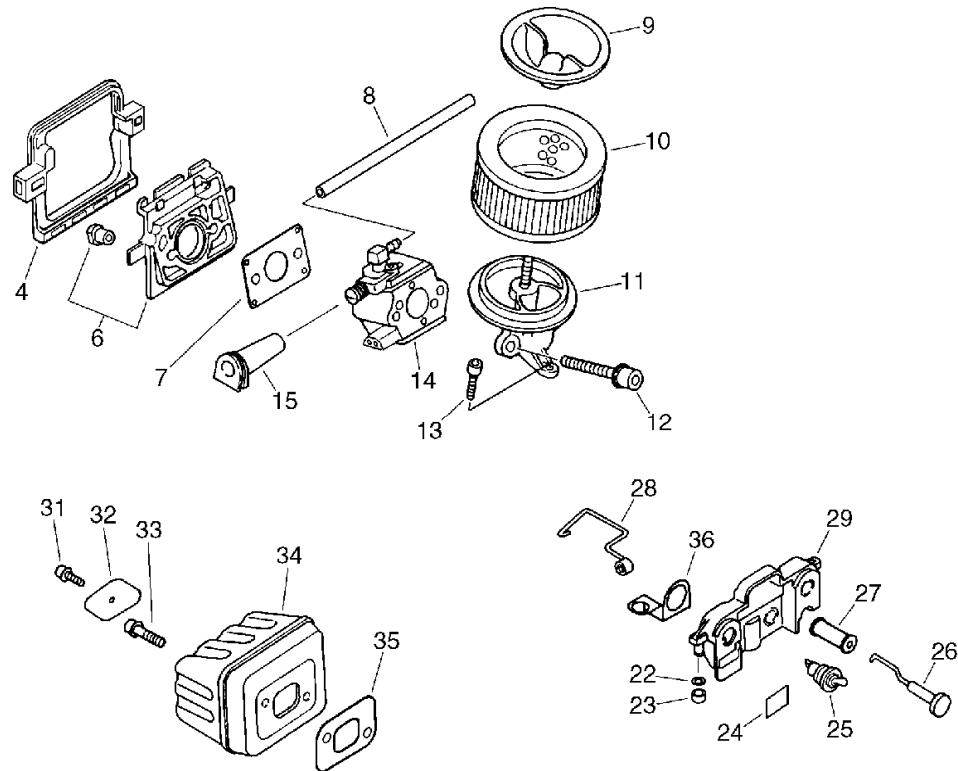
KEY	LV	PART NUMBER	Q'TY	DESCRIPTION	REMARKS	NOTE1	NOTE2
2		900238-05012	2	SCREW 5*12	5*12		
3		130510-39932	1	ADAPTER, INTAKE			
4		130016-39930	1	GASKET, INTAKE			
5		P021-004131	1	CRANKCASE SET			
6	+	900162-05022	4	BOLT, H.S. 5*22	5*22 W,SW		
7		900162-05030	4	BOLT, H.S. 5*30	5*30 W,SW		
8		100000-59531	1	PISTON KIT			
9	+	100011-37330	1	RING, PISTON			
10	+	100013-35430	1	PIN, PISTON	6*9*27.8		
11	+	100015-03931	2	CIRCLIP, PISTON PIN			
12	+	100012-35430	1	BEARING, NEEDLE	9*12*12		
13		100142-39130	1	KEY, WOODRUFF			
14		P021-007240	1	CRANKSHAFT ASY			
15	+	900888-36201	2	BEARING, BALL 6201	6201		
16	+	V505-000010	2	SEAL,OIL 12			
17	+	437063-38330	1	GEAR, WORM			
20		163890-38330	3	BOLT, 5			
23		101520-35430	1	COVER			
27		433000-60930	1	CATCHER KIT, CHAIN			
28	+	900253-05020	1	SCREW 5*20	5*20		
30		100918-19830	2	CAP, CUSHION			
31		100915-33930	2	SCREW			
32		100910-60030	2	CUSHION			
33		P021-007180	1	COVER, ENGINE			
29	+	101520-35430	1	COVER			
35	+	606416-60631	1	WIRE			

2. Cylinder, Crankcase, Piston(Sr/Nr 36033994 and after)



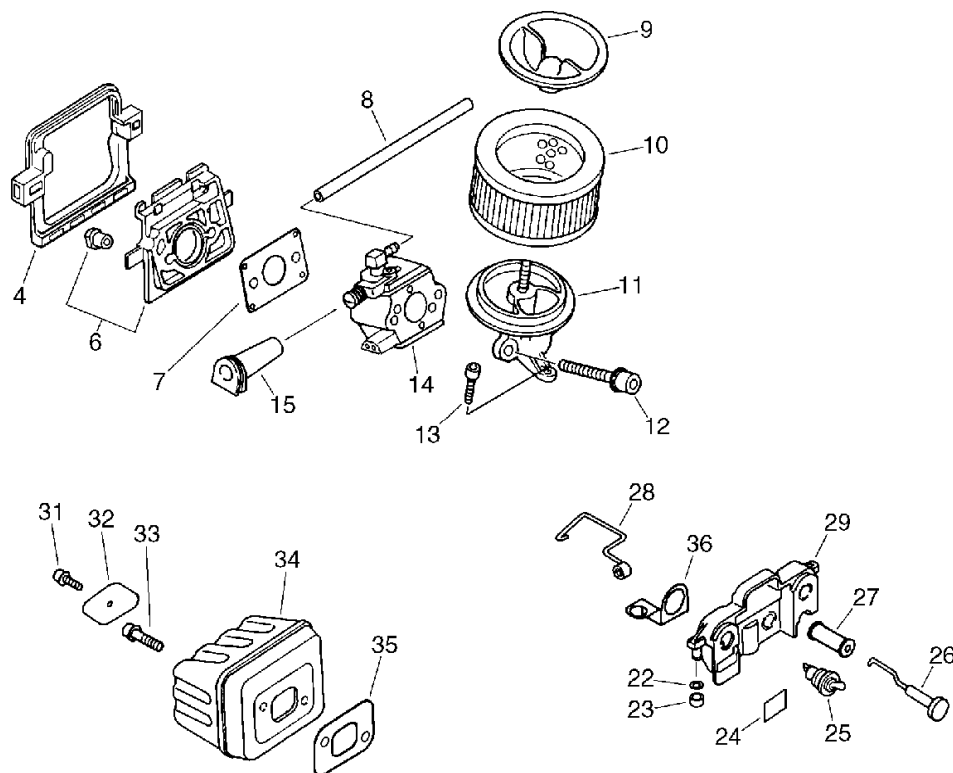
KEY	LV	PART NUMBER	Q'TY	DESCRIPTION	REMARKS	NOTE1	NOTE2
38	+	433011-19830	2	STUD, GUIDE BAR			
39	+	436114-13930	1	VALVE, CHECK			
34		900253-04008	1	SCREW 4*8	4*8		
36		130020-60630	2	NUT 5			
37		162011-60630	1	PLATE, GROUND			
40		436001-39232	1	CAP, OIL			
41	+	A365-000050	1	CONNECTOR,CAP			
42	+	900721-00025	1	O-RING 25	G-25		
43		890345-39230	1	LABEL,CAUTION			
44		X503-006141	1	LABEL,MODEL	CSB4200 ES ST1		
45		890631-38130	1	LABEL, CAUTION			
47		A235-000020	1	KNOB,CLEANER LID			
48		A232-000021	1	LID,CLEANER		Sus. by A232-000022	
48		A232-000022	1	LID,CLEANER		Sus. by A232-000023	
48		A232-000023	1	LID,CLEANER			
49		V135-000010	1	GROMMET,HT CORD			
50		A160-000015	1	COVER,CYLINDER			
51		130338-32430	1	PLUG, COVER			

## 3. Air Cleaner, Muffler(Sr/Nr 36033993 and before)



KEY	LV	PART NUMBER	Q'TY	DESCRIPTION	REMARKS	NOTE1	NOTE2
4		130366-39930	1	CUSHION			
6		130007-39931	1	INSULATOR			
7		130010-38330	1	GASKET, INTAKE			
8		130110-54430	1	PIPE, IMPULSE	3*6*105 NBR		
9		130405-38331	1	BRACKET, AIR CLEANER		Sus. by 130405-38332	
10		130300-39730	1	CLEANER ASM., AIR			
11		130301-39931	1	ADAPTER, INTAKE		Sus. by 130301-39933	
11		130301-39932	1	ADAPTER, INTAKE		Sus. by 130301-39933	
11		130301-39933	1	ADAPTER, INTAKE	ID #1230		
12		900162-05050	2	BOLT, H.S. 5*50	5*50 W,SW		
13		900253-05016	1	SCREW	5*16		
14		A021-000220	1	CARBURETOR,DIAPHRAGM	WT-594		
15		129023-39930	1	GROMMET, IDLE			
22		900600-00005	2	WASHER 5	5		
23		351134-39930	2	CUSHION			
24		890157-39130	1	LABEL, SWITCH			
25		163400-35430	1	SWITCH, IGNITION			
26		178510-38331	1	ROD, CHOKE		Sus. by A241-000100	
26		A241-000100	1	KNOB, CHOKE			
27		178810-14532	1	GROMMET		Sus. by 178810-14534	

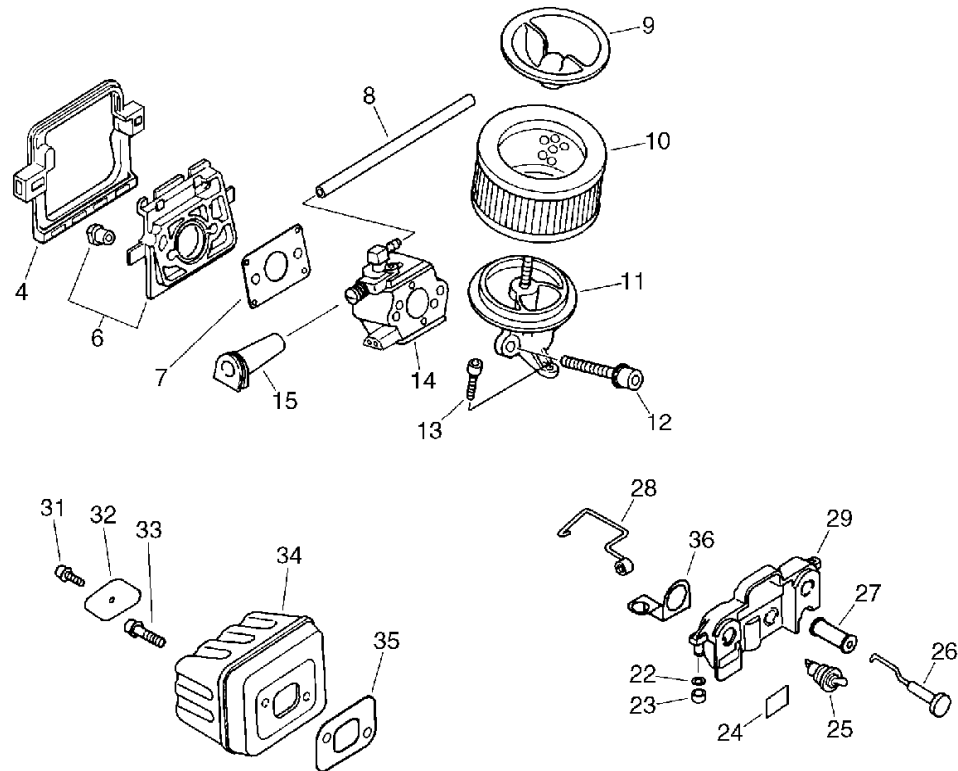
3. Air Cleaner, Muffler(Sr/Nr 36033993 and before)



KEY	LV	PART NUMBER	Q'TY	DESCRIPTION	REMARKS	NOTE1	NOTE2
27		178810-14533	1	GROMMET		Sus. by 178810-14534	
27		178810-14534	1	GROMMET			
28		C454-000011	1	ROD,THROTTLE		Sus. by C454-000012	
28		C454-000012	1	ROD,THROTTLE			
29		163810-59532	1	BRACKET, SWITCH		Sus. by 163810-59535	
29		163810-59533	1	BRACKET, SWITCH		Sus. by 163810-59535	
29		163810-59534	1	BRACKET, SWITCH		Sus. by 163810-59535	
29		163810-59535	1	BRACKET, SWITCH			
31		900105-04006	1	BOLT, H.S. 4*6	4*6		
32		145711-60631	1	STAY, MUFFLER			
33		900105-05014	2	BOLT, H.S. 5*14	5*14		
34		145610-39930	1	MUFFLER			
35		145510-35431	1	GASKET, MUFFLER			
36		163413-59530	1	PLATE, CONTACT			

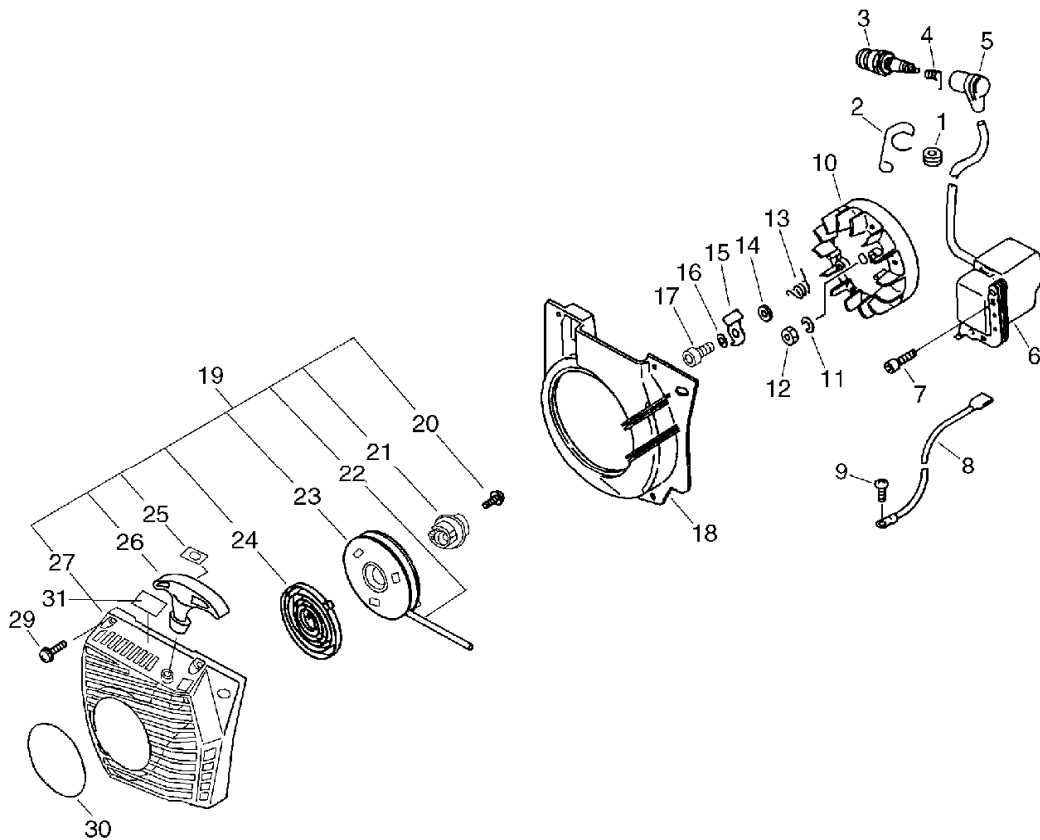


## 4. Air Cleaner, Muffler(Sr/Nr 36033994 and after)



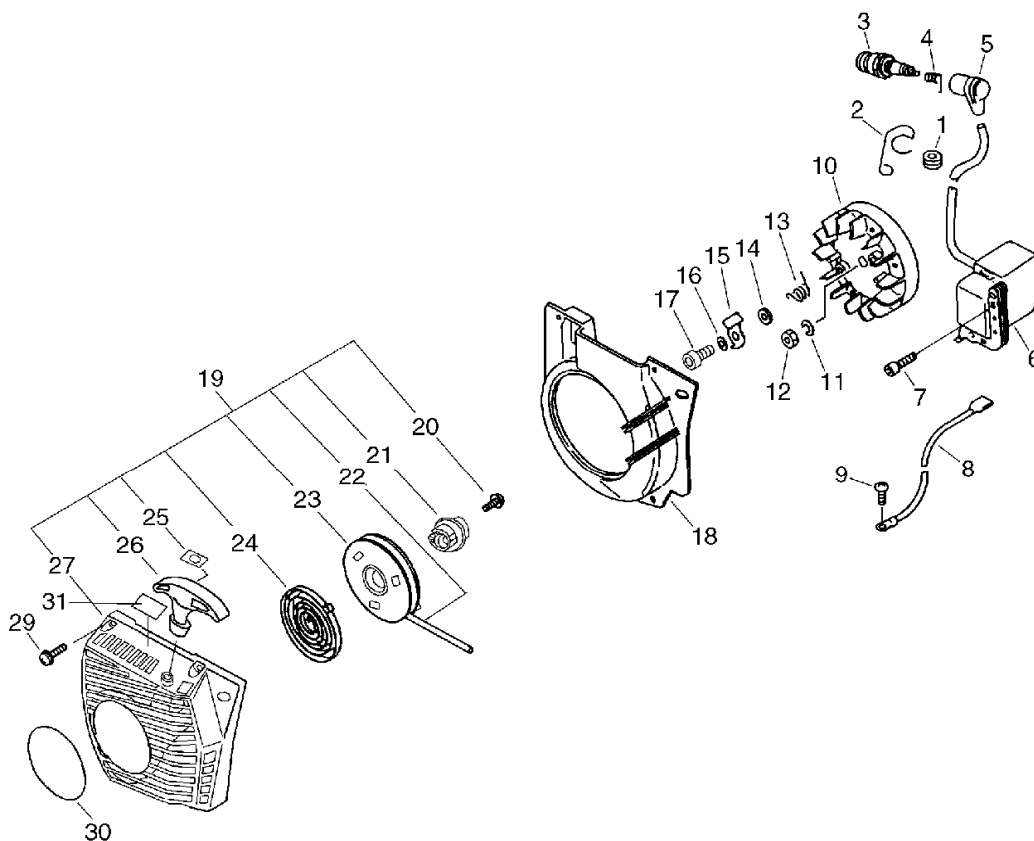
KEY	LV	PART NUMBER	Q'TY	DESCRIPTION	REMARKS	NOTE1	NOTE2
4		130366-39930	1	CUSHION			
6		130007-39931	1	INSULATOR			
7		130010-38330	1	GASKET, INTAKE			
8		130110-54430	1	PIPE, IMPULSE	3*6*105 NBR		
9		130405-38332	1	BRACKET, AIR CLEANER			
10		130300-39730	1	CLEANER ASM., AIR			
11		130301-39935	1	ADAPTER, INTAKE	ID #1230		
12		900162-05050	2	BOLT, H.S. 5*50	5*50 W,SW		
13		900253-05016	1	SCREW	5*16		
14		A021-000220	1	CARBURETOR,DIAPHRAGM	WT-594		
15		129023-39930	1	GROMMET, IDLE			
22		900600-00005	2	WASHER 5	5		
23		351134-39930	2	CUSHION			
24		890157-39130	1	LABEL, SWITCH			
25		163400-35430	1	SWITCH, IGNITION			
26		A241-000100	1	KNOB, CHOKE			
27		178810-14534	1	GROMMET			
28		C454-000012	1	ROD,THROTTLE			
29		163810-59535	1	BRACKET, SWITCH			
31		900105-04006	1	BOLT, H.S. 4*6	4*6		
32		145711-60631	1	STAY, MUFFLER			
33		900105-05014	2	BOLT, H.S. 5*14	5*14		
34		145610-39930	1	MUFFLER			
35		145510-35431	1	GASKET, MUFFLER			
36		163413-59530	1	PLATE, CONTACT			

## 5. Starter, Magneto(Sr/Nr 36033993 and before)



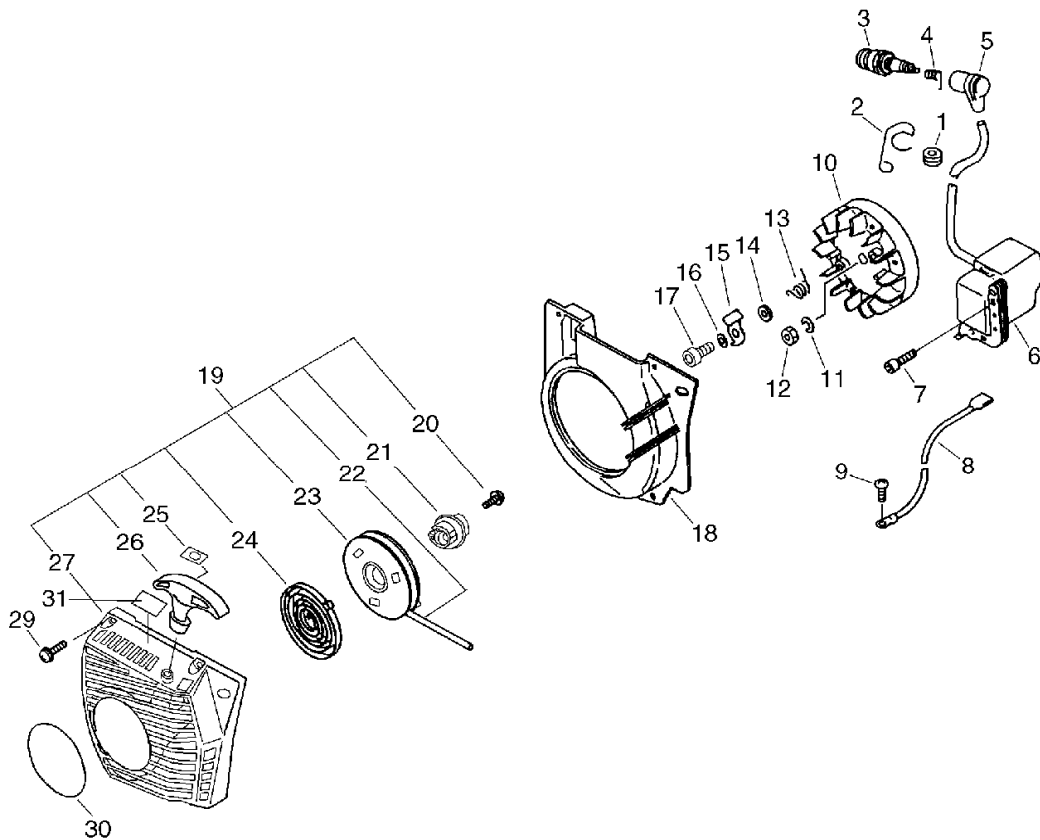
KEY	LV	PART NUMBER	Q'TY	DESCRIPTION	REMARKS	NOTE1	NOTE2
1		151112-04630	1	BUSHING			
2		159118-39930	1	GUIDE, CORD			
3		159017-31730	1	PLUG, SPARK RCJ-6Y	RCJ-6Y	Sus. by 159010-10230	
3		159010-10230	1	PLUG, SPARK (BPMR-7A)	BPMR-7A		
4		A426-000010	1	TERMINAL, SPARK PLUG			
5		A427-000011	1	CAP, SPARK PLUG		Sus. by A427-000012	
5		A427-000012	1	CAP, SPARK PLUG			
6		156626-60630	1	COIL, IGNITION	EMG-44		
7		900162-05022	2	BOLT, H.S. 5*22	5*22 W.SW		
8		156630-39930	1	LEAD, GROUND			
9		900216-04006	1	SCREW	4*6		
10		156801-60630	1	FLYWHEEL	EGM-44		
11		900605-00008	1	WASHER, SPRING 8	8		
12		900500-00008	1	NUT 8	8*P1.25		
13		177234-35430	2	SPRING, RETURN			
14		177247-04630	2	SPACER, RATCHET	5.2*8*2.1		
15		177218-35430	2	PAWL, STARTER			
16		900603-00005	2	WASHER 5	5.5*12*0.8		
17		900105-05014	2	BOLT, H.S. 5*14	5*14	Sus. by V203-000090	
17		V203-000090	2	BOLT, 5	M5*14		
18		101535-39932	1	COVER, FAN			
19		A051-000581	1	STARTER, RECOIL			
20	+	P022-004630	1	SCREW			

5. Starter, Magneto(Sr/Nr 36033993 and before)



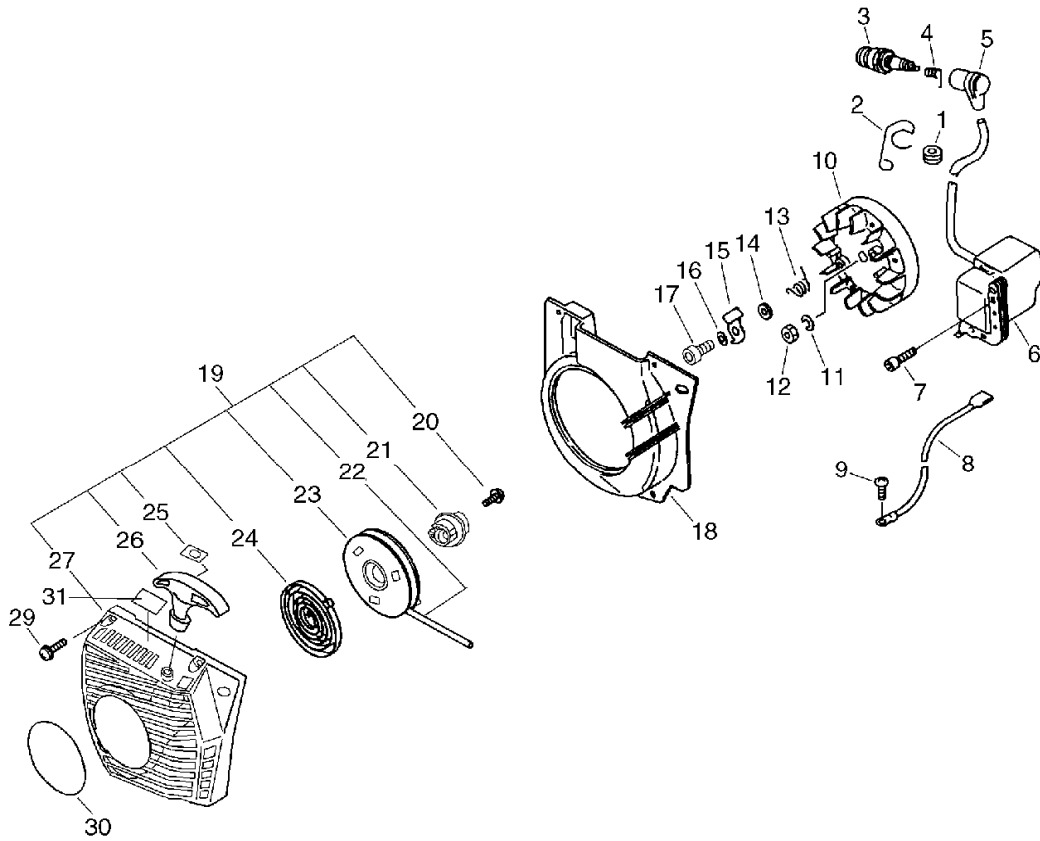
KEY	LV	PART NUMBER	Q'TY	DESCRIPTION	REMARKS	NOTE1	NOTE2
21	+	A507-000010	1	CATCHER,PAWL			
22	+	P022-006230	1	ROPE			
23	+	P022-006240	1	REEL COMP			
24	+	P022-006250	1	SPRING, SPIRAL			
25	+	177246-11120	1	CLIP, STARTER ROPE			
26	+	P022-001320	1	GRIP, STARTER			
27	+	A500-000151	1	CASE, STARTER			
29		900238-04016	4	SCREW 4*16	4*16		
30		X502-000120	1	LABEL, ECHO	ES ECHO ₹156.5	Sus. by 890118-49330	
30		890118-49330	1	LABEL, ECHO			

## 6. Starter, Magneto(Sr/Nr 36033994 and after)



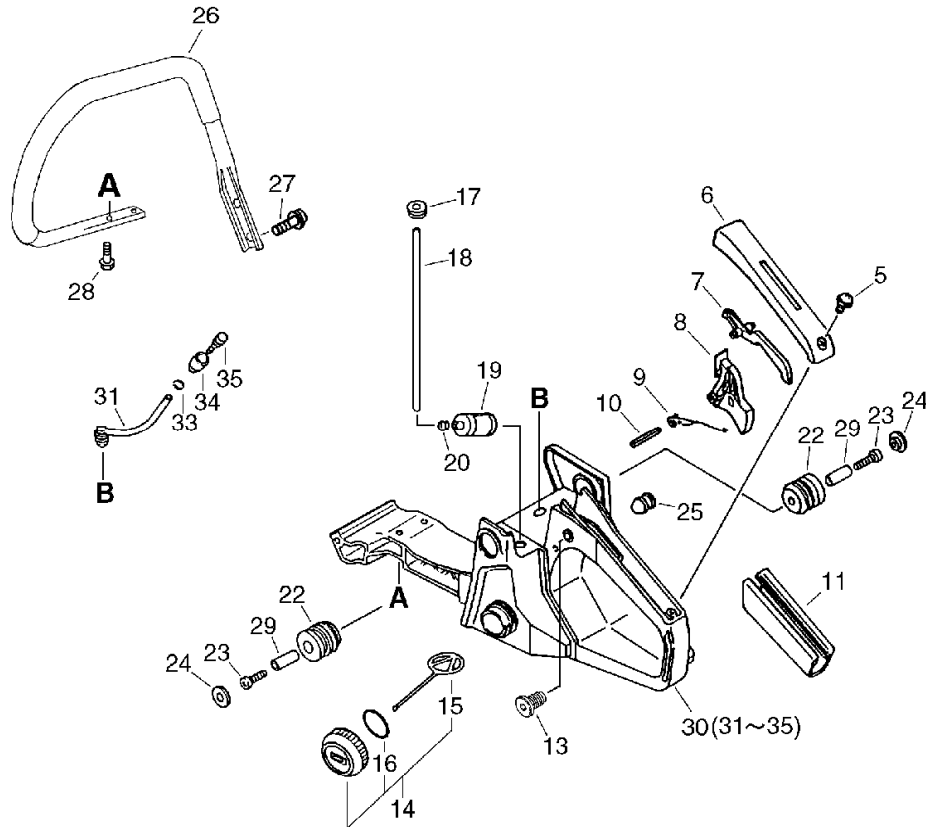
KEY	LV	PART NUMBER	Q'TY	DESCRIPTION	REMARKS	NOTE1	NOTE2
1		151112-04630	1	BUSHING			
2		159118-39930	1	GUIDE, CORD			
3		159010-10230	1	PLUG, SPARK (BPMR-7A)	BPMR-7A		
4		A426-000010	1	TERMINAL, SPARK PLUG			
5		A427-000012	1	CAP, SPARK PLUG			
6		156626-60630	1	COIL, IGNITION	EMG-44		
7		900162-05022	2	BOLT, H.S. 5*22	5*22 W,SW		
8		156630-39930	1	LEAD, GROUND			
9		900216-04006	1	SCREW	4*6		
10		156801-60630	1	FLYWHEEL	EGM-44		
11		900605-00008	1	WASHER, SPRING 8	8		
12		900500-00008	1	NUT 8	8*P1.25		
13		177234-35430	2	SPRING, RETURN			
14		177247-04630	2	SPACER, RATCHET	5.2*8*2.1		
15		177218-35430	2	PAWL, STARTER			
16		900603-00005	2	WASHER 5	5.5*12*0.8		
17		V203-000090	2	BOLT, 5	M5*14		
18		101535-39933	1	COVER, FAN			
19		A051-000581	1	STARTER, RECOIL			
20	+	P022-004630	1	SCREW			
21	+	A507-000010	1	CATCHER, PAWL			
22	+	P022-006230	1	ROPE			
23	+	P022-006240	1	REEL COMP			
24	+	P022-006250	1	SPRING, SPIRAL			
25	+	177246-11120	1	CLIP, STARTER ROPE			
26	+	P022-001320	1	GRIP, STARTER			

6. Starter, Magneto(Sr/Nr 36033994 and after)



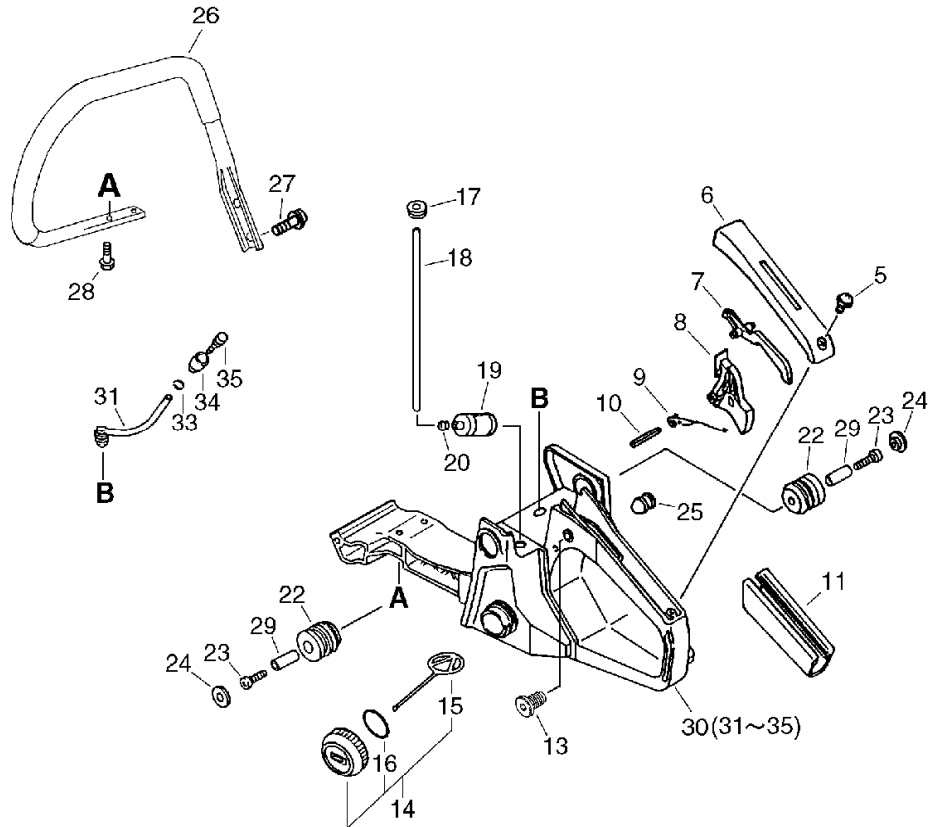
KEY	LV	PART NUMBER	Q'TY	DESCRIPTION	REMARKS	NOTE1	NOTE2
27	+	A500-000151	1	CASE,STARTER			
29		900238-04016	4	SCREW 4*16	4*16		
30		890118-49330	1	LABEL, ECHO			
31		X530-000210	1	LABEL,EYE CATCHER			

## 7. Handle(Sr/Nr 36033993 and before)



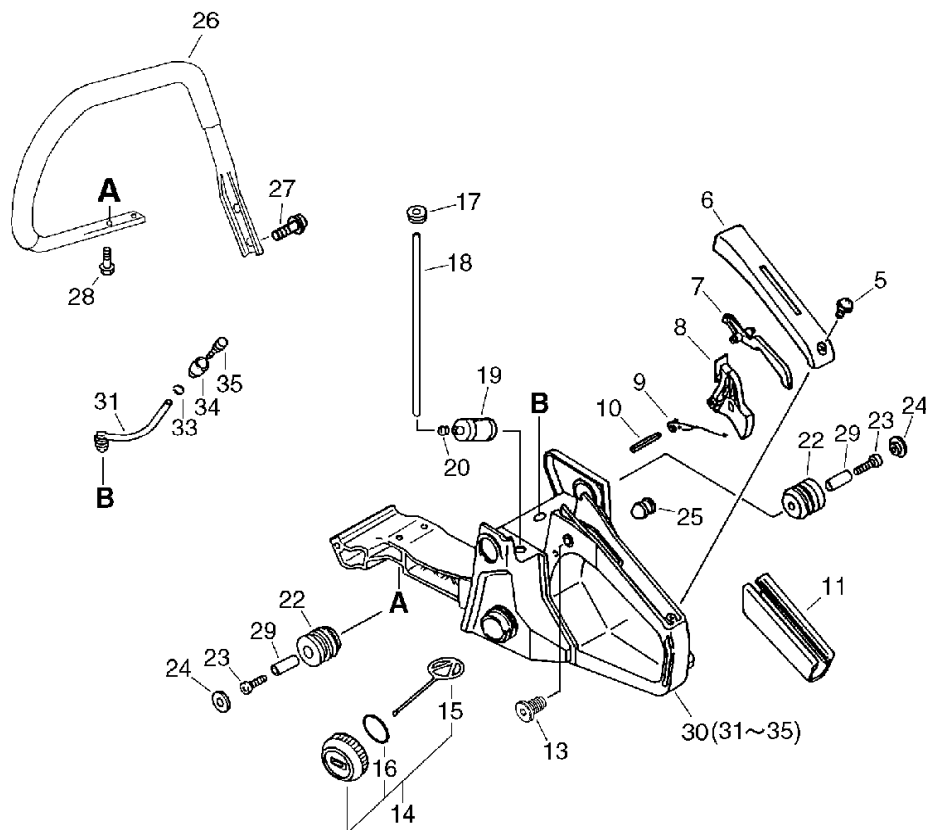
KEY	LV	PART NUMBER	Q'TY	DESCRIPTION	REMARKS	NOTE1	NOTE2
5		900253-04014	1	SCREW 4*14	4*14		
6		351155-35430	1	COVER, HANDLE (BL)			
7		178090-37930	1	LOCKOUT, T. CONTROL			
8		C450-000000	1	TRIGGER, THROTTLE			
9		178043-35430	1	SPRING, THR. RETURN			
10		900345-40030	1	PIN, SPRING 4*30SUS	4*30SUS		
11		351111-19830	1	GRIP, HANDLE			
13		V162-000040	1	PLUG			
14		131004-37932	1	CAP ASY, FUEL			
15	+	A365-000050	1	CONNECTOR, CAP			
16	+	900720-00022	1	O-RING 22	P-22		
17		132115-04920	1	GROMMET			
18		132010-00760	1	PIPE, FUEL	3*5*250L		
19		131205-19830	1	STRAINER, FUEL			
20		132013-09820	1	CLIP	6MM		
22		100910-19730	2	CUSHION			
23		900105-04020	2	BOLT, H.S. 4*20	4*20		
24		100918-19830	2	CAP, CUSHION			
25		100252-39930	2	CUSHION			
26		C400-000190	1	HANDLE, FRONT			
27		91145-05020	2	BOLT HS TAPPING	5*20		
28		91145-05016	2	BOLT HS TAPPING	5*16		
29		100915-15131	2	SUPPORTER, CUSHION			
30		351103-39933	1	HANDLE, REAR		Sus. by 351103-39934	
30		351103-39934	1	HANDLE, REAR			

7. Handle(Sr/Nr 36033993 and before)



KEY	LV	PART NUMBER	Q'TY	DESCRIPTION	REMARKS	NOTE1	NOTE2
31	+	132012-39930	1	PIPE, W/GROMMET	L65 NBR	Sus. by 132012-39931	
33	+	132013-26630	1	CLIP	6.5MM		
34	+	131328-40630	1	COVER, VENT			
35	+	131300-56430	1	VALVE, CHECK			

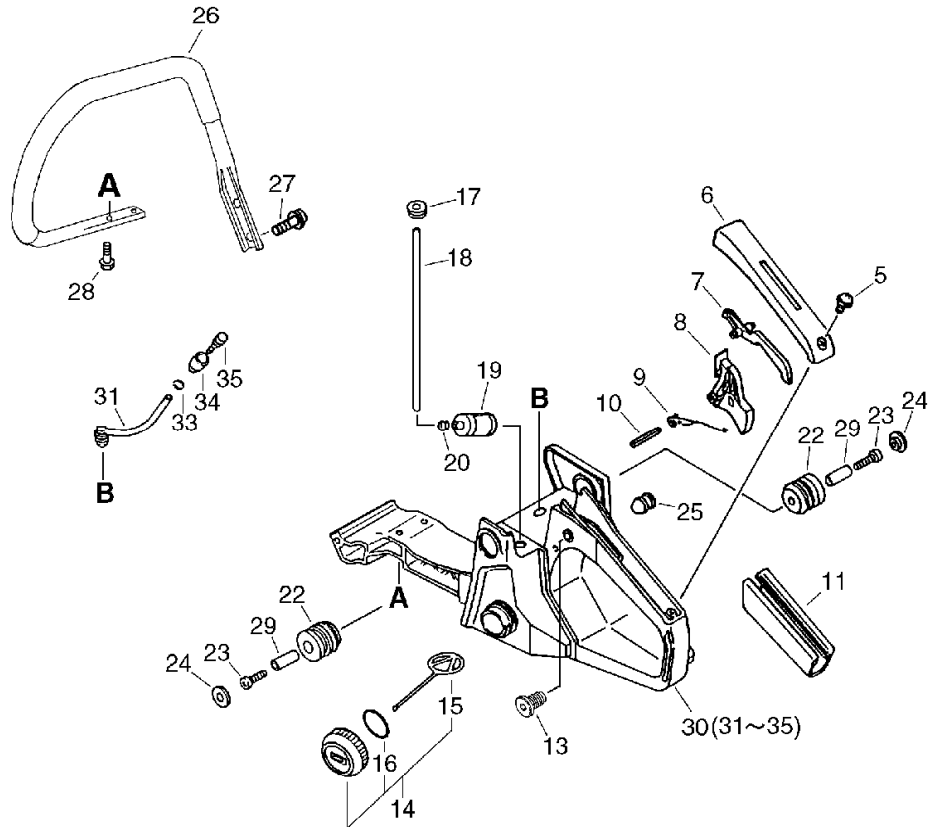
8. Handle(Sr/Nr 36033994 and after)



KEY	LV	PART NUMBER	Q'TY	DESCRIPTION	REMARKS	NOTE1	NOTE2
5		900253-04014	1	SCREW 4*14	4*14		
6		351155-35430	1	COVER, HANDLE (BL)			
7		178090-37930	1	LOCKOUT, T. CONTROL			
8		C450-000000	1	TRIGGER, THROTTLE			
9		178043-35430	1	SPRING, THR. RETURN			
10		900345-40030	1	PIN, SPRING 4*30SUS	4*30SUS		
11		351111-19830	1	GRIP, HANDLE			
13		V162-000040	1	PLUG			
14		131004-37932	1	CAP ASY, FUEL			
15	+	A365-000050	1	CONNECTOR, CAP			
16	+	900720-00022	1	O-RING 22	P-22		
17		132115-04920	1	GROMMET			
18		132010-00760	1	PIPE, FUEL	3*5*250L		
19		131205-19830	1	STRAINER, FUEL			
20		132013-09820	1	CLIP	6MM		
22		100910-19730	2	CUSHION			
23		900105-04020	2	BOLT, H.S. 4*20	4*20		
24		100918-19830	2	CAP, CUSHION			
25		100252-39930	2	CUSHION			
26		C400-000190	1	HANDLE, FRONT			
27		91145-05020	2	BOLT HS TAPPING	5*20		
28		91145-05016	2	BOLT HS TAPPING	5*16		
29		100915-15131	2	SUPPORTER, CUSHION			
30		351103-39934	1	HANDLE, REAR		Sus. by P021-013410	
30		P021-013410	1	HANDLE, REAR			

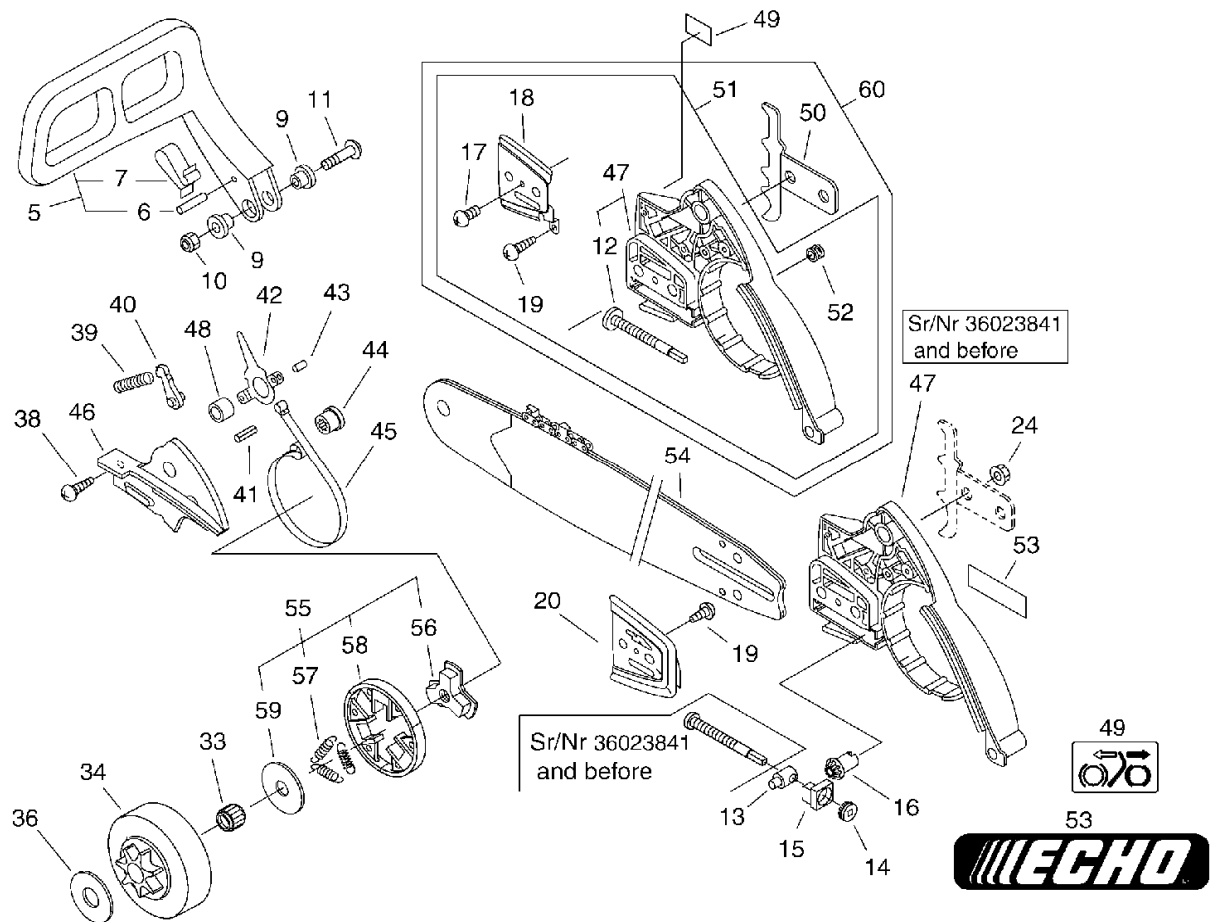


8. Handle(Sr/Nr 36033994 and after)



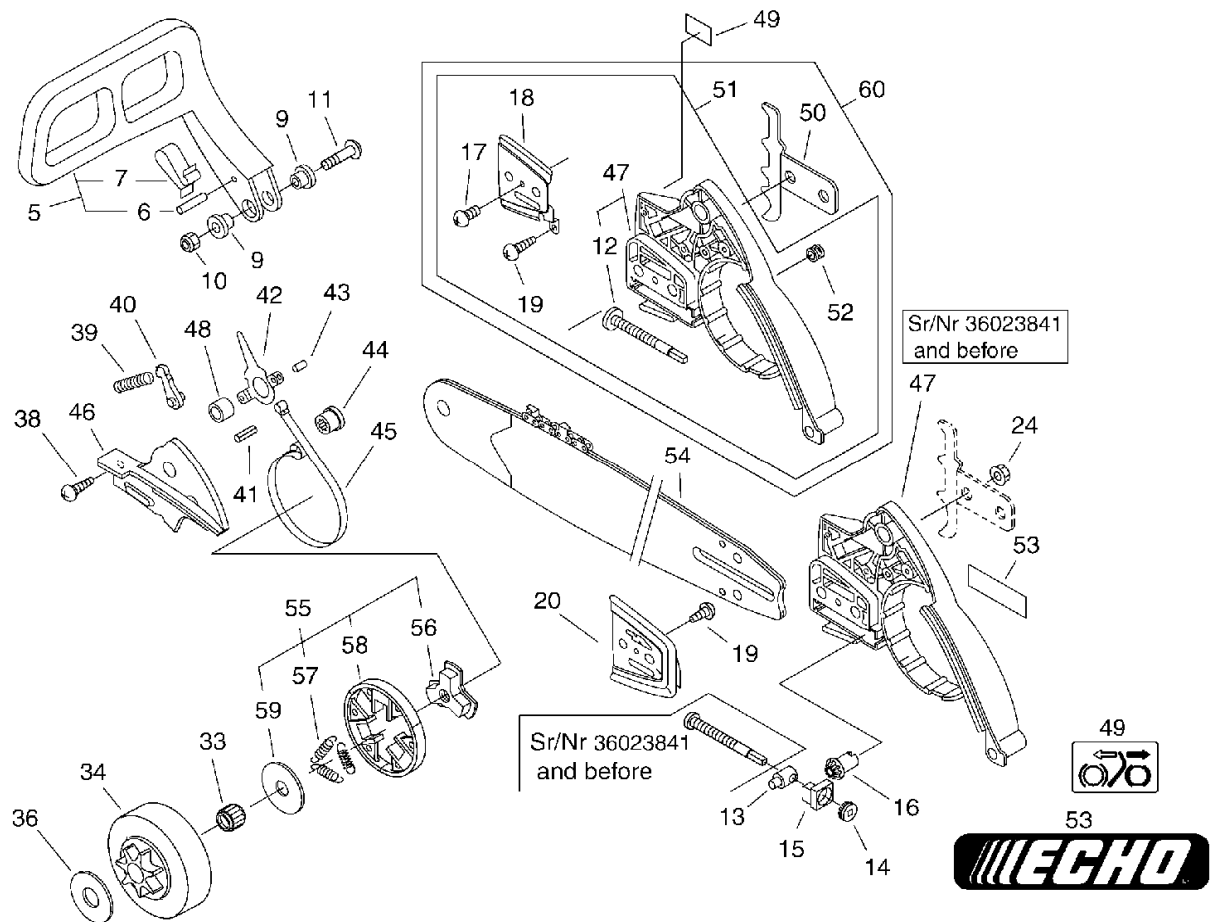
KEY	LV	PART NUMBER	Q'TY	DESCRIPTION	REMARKS	NOTE1	NOTE2
31	+	132012-39930	1	PIPE, W/GROMMET	L65 NBR	Sus. by 132012-39931	
31	+	132012-39931	1	PIPE	3*6*65		
33	+	132013-26630	1	CLIP	6.5MM		
34	+	131328-40630	1	COVER, VENT			
35	+	131300-56430	1	VALVE, CHECK			

# 9. Clutch, Sprocket



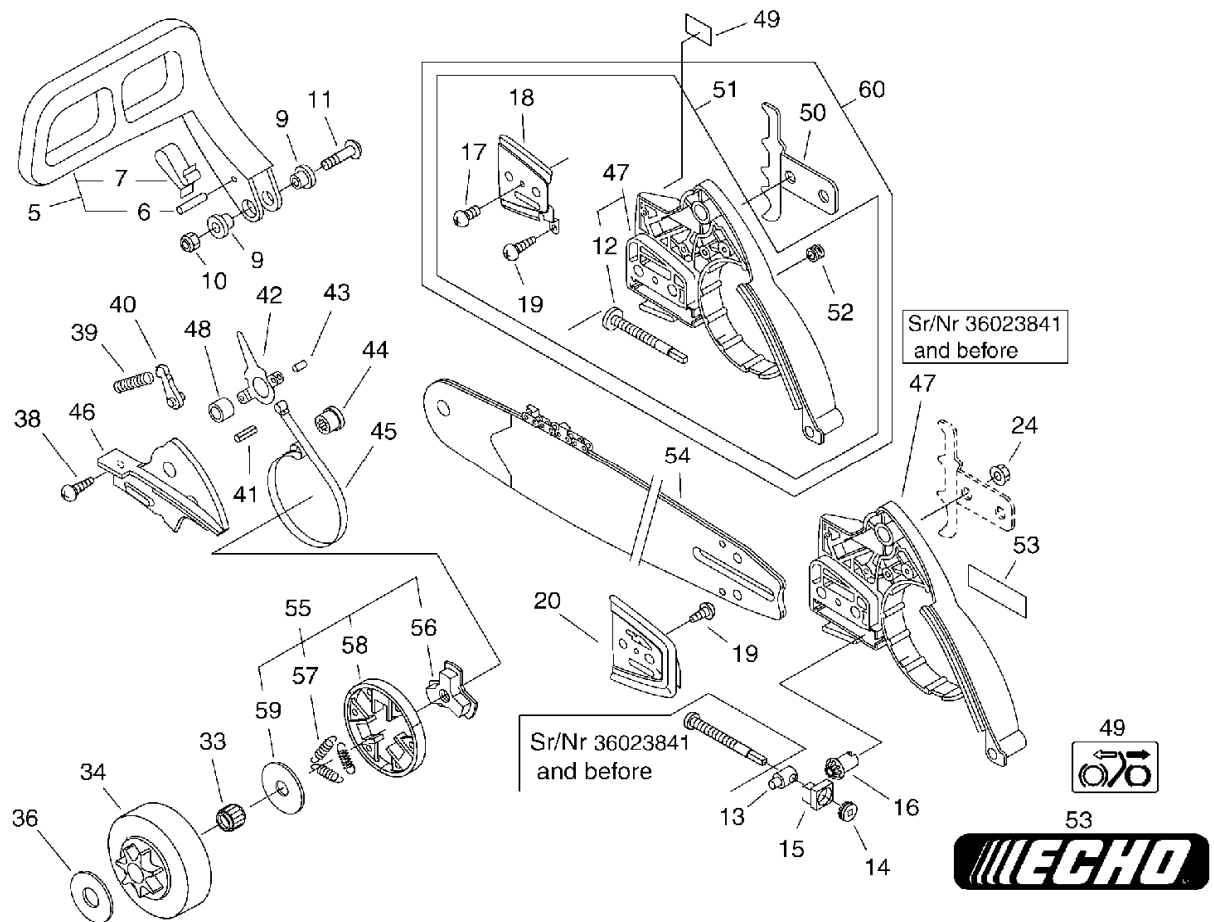
KEY	LV	PART NUMBER	Q'TY	DESCRIPTION	REMARKS	NOTE1	NOTE2
5		433105-60030	1	LEVER, BRAKE			
6	+	900330-30240	1	PIN 3*24	3*23.8		
7	+	433114-38331	1	SPRING			
9		433167-39130	2	SPACER			
10		900560-00005	1	NUT, LOCK 5	5	Sus. by 900562-50005	
10		900562-50005	1	LOCKNUT 5	5		
11		91318-05032	1	SCREW	5*32		
12		V203-000041	1	BOLT,5		Sr/Nr 36023841 and before	
13		C309-000030	1	TENSIONER.CHAIN			
14		V651-000011	1	GEAR,BEVEL			
15		V355-000270	1	COLLAR,8			
16		V651-000001	1	GEAR,BEVEL			
19		900253-04008	1	SCREW 4*8	4*8		
20		433012-39930	1	PLATE, GUIDE			
24		433019-12330	2	NUT, FLANGE 8	M-8		
33		175012-00831	1	BEARING, NEEDLE			
34		A556-000171	1	DRUM,CLUTCH			
36		175019-38330	1	PLATE, CLUTCH			
38		900253-04010	2	SCREW 4*10	4*10		
39		433122-35430	1	SPRING, BRAKE			
40		433209-35430	1	STOPPER, BRAKE			
41		900342-25012	1	PIN, SPRING 2.5*12	2.5*12		
42		433208-35431	1	LEVER, BRAKE			
43		900330-40088	1	ROLLER 4*8.8	4*8.8		

# 9. Clutch, Sprocket



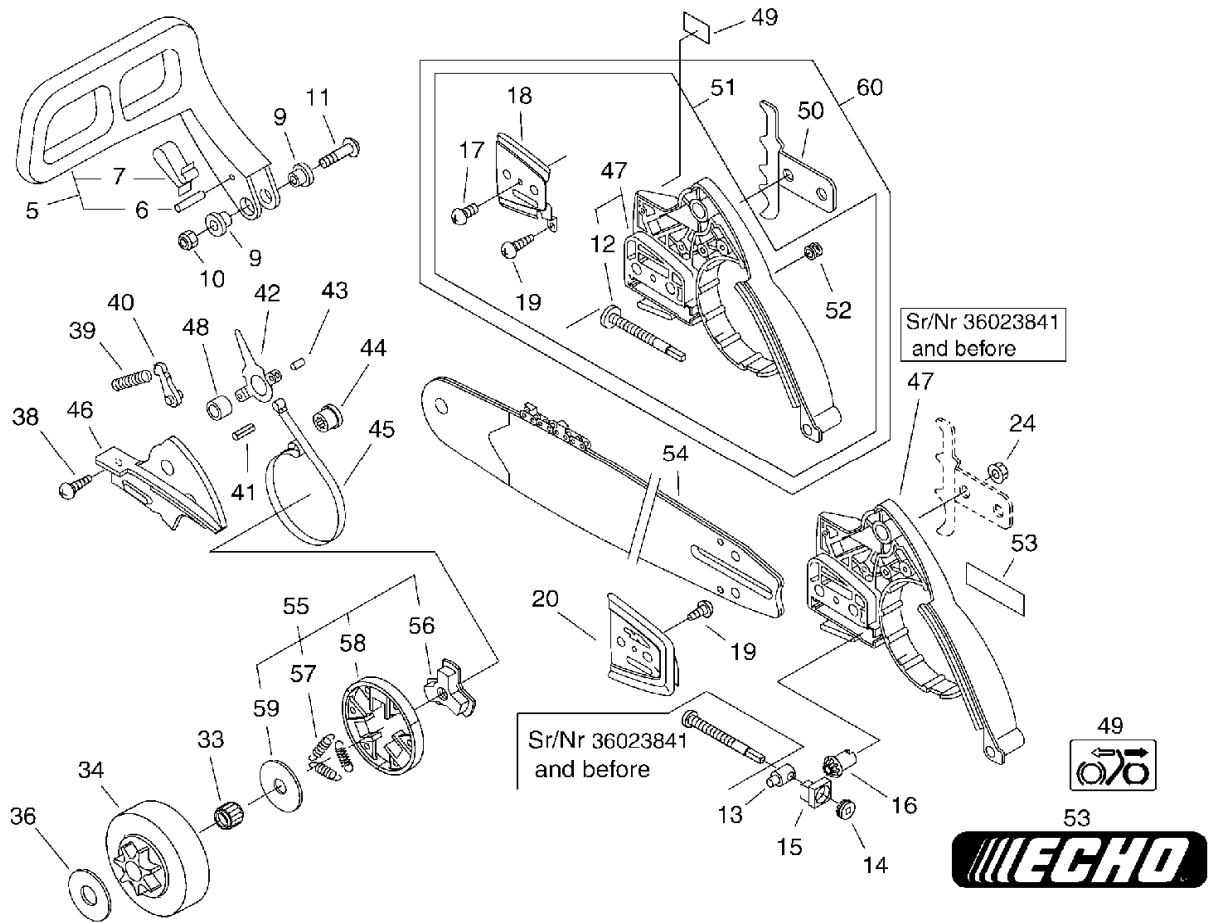
KEY	LV	PART NUMBER	Q'TY	DESCRIPTION	REMARKS	NOTE1	NOTE2
44		433142-35430	1	ADJUSTER, BRAKE			
45		C328-000060	1	BAND, BRAKE			
46		433310-38330	1	COVER, BRAKE			
48		433115-38330	1	WASHER 5.2*12*14	5.2*12*14		
49		890316-39130	1	LABEL, CAUTION		Sr/Nr 36014810 and before	
50		880210-36031	1	BUMPER, SPIKED		Sr/Nr 36023841 and before	
60		P021-010290	1	GUARD, SPROCKET SET		Sr/Nr 36023842 and after	
51		P021-001312	1	GUARD, SPROCKET SET		Sr/Nr 36023841 and before	
51	+	P021-001313	1	GUARD, SPROCKET SET		Sr/Nr 36023842 and after	
17	+	900220-03006	1	SCREW 3*6	3*6	Can be used on the P021-001312 only	
17	++	900220-03006	1	SCREW 3*6	3*6	Can be used on the P021-001313 only	
18	+	C305-000011	1	PLATE, SPROCKET GUARD		Can be used on the P021-001312 only	
18	++	C305-000011	1	PLATE, SPROCKET GUARD		Can be used on the P021-001313 only	

9. Clutch, Sprocket



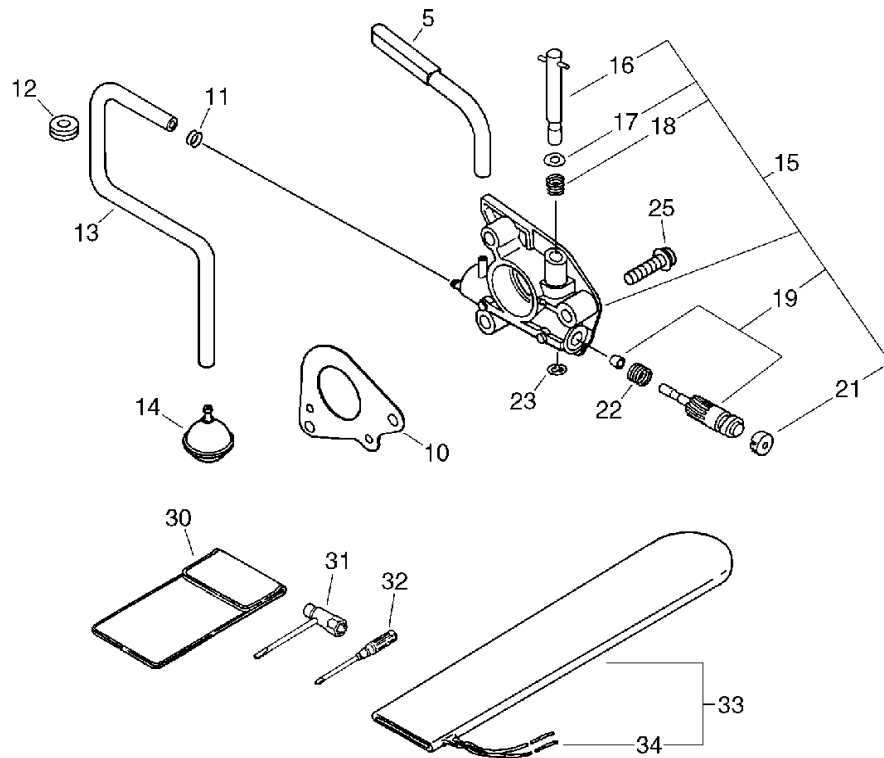
KEY	LV	PART NUMBER	Q'TY	DESCRIPTION	REMARKS	NOTE1	NOTE2
19	+	900253-04008	1	SCREW 4*8	4*8	Can be used on the P021-001312 only	
19	++	900253-04008	1	SCREW 4*8	4*8	Can be used on the P021-001313 only	
47	+	433005-60935	1	GUARD, SPROCKET		Sr/Nr 36023841 and before	
47	++	P021-010170	1	GUARD, SPROCKET KIT		Sr/Nr 36023842 and after	
12	+++	V203-000110	1	BOLT,5		Sr/Nr 36023842 and after	
52	+	V162-000020	1	PLUG		Can be used on the P021-001312 only	
52	++	V162-000020	1	PLUG		Can be used on the P021-001313 only	
50	+	C304-000020	1	SPIKED		Can be used on the P021-001313 only	
53		X502-000020	1	LABEL,ECHO			
54		430521-37331	1	BAR,GUIDE 38RD58-325	38RD58-325	Sus. by 430521-37332	
54		430521-37332	1	BAR, GUIDE 38RD58325	38RD58-325	OPTION	
55		P021-007060	1	CLUTCH ASY W/PLATE			

9. Clutch, Sprocket



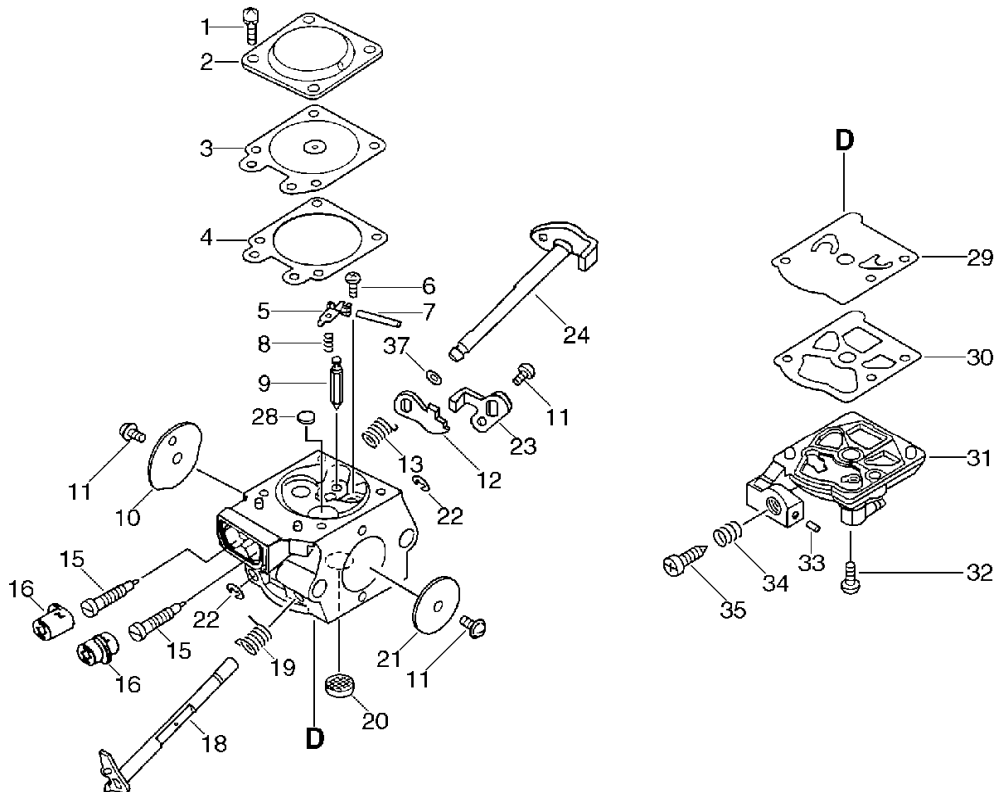
KEY	LV	PART NUMBER	Q'TY	DESCRIPTION	REMARKS	NOTE1	NOTE2
56	+	A552-000060	1	HUB,CLUTCH			
57	+	V451-000500	3	SPRING,TENSION			
58	+	P021-007050	1	CLUTCH SHOE SET			
59	+	175019-39430	1	PLATE, CLUTCH			

## 10. Auto-Oiler, Tools



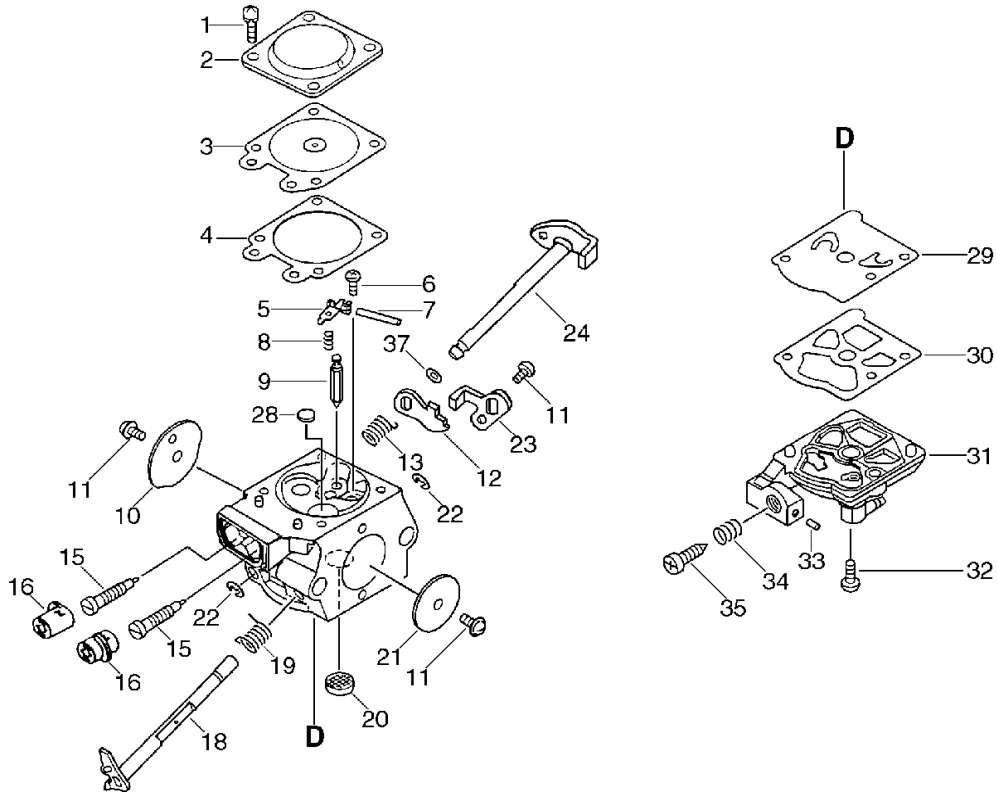
KEY	LV	PART NUMBER	Q'TY	DESCRIPTION	REMARKS	NOTE1	NOTE2
5		437210-39931	1	PIPE			
10		175310-38330	1	PLATE, SEAL			
11		132013-26630	1	CLIP	6.5MM		
12		132115-12330	1	GROMMET			
13		437210-35430	1	PIPE			
14		436205-14730	1	STRAINER, OIL			
15		437002-38330	1	AUTO-OILER ASSY			
16	+	437016-38330	1	NEEDLE, ADJUST			
17	+	437029-37330	1	WASHER			
18	+	437015-37330	1	SPRING			
19	+	437024-37330	1	PLUNGER			
21	+	437062-38330	1	CAP, OIL PUMP			
22	+	437019-38330	1	SPRING			
23	+	123127-15030	1	RING			
25		900223-04016	2	SCREW	4*16		
30		898510-39130	1	BAG, TOOL			
31		895410-02830	1	WRENCH, W/S. DRIVER			
32		895812-03930	1	DRIVER, SCREW 50			
33		898513-38330	1	SCABBARD, GUIDE BAR		OPTION	
34	+	898568-14530	1	ROPE	5*900	OPTION	

## 11. Carburetor



KEY	LV	PART NUMBER	Q'TY	DESCRIPTION	REMARKS	NOTE1	NOTE2
		A021-000220	1	CARBURETOR,DIAPHRAGM	WT-594		
1	+	123130-02960	4	SCREW			
2	+	123142-03930	1	COVER, M. DIAPHRAGM			
3	+	123141-03930	1	DIAPHRAGM, METERING			
4	+	123140-03930	1	GASKET, M. DIAPHRAGM			
5	+	123123-03930	1	LEVER, METERING			
6	+	123139-03930	1	SCREW, M. LEVER PIN			
7	+	123138-03930	1	PIN, METERING LEVER			
8	+	123122-39330	1	SPRING, METER. LEVER			
9	+	123137-19830	1	VALVE, INLET NEEDLE			
10	+	P003-000230	1	VALVE CHOKE			
11	+	123114-38830	3	SCREW			
12	+	P003-000160	1	LEVER-FAST IDLE			
13	+	P003-000140	1	SPRING			
15	+	123120-03661	2	NEEDLE			
16	+	P003-000010	2	LIMITER CAP			
18	+	P003-000480	1	SHAFT,THROTTLE			
19	+	123113-37530	1	SPRING, THROTTLE RTN			
20	+	123126-10631	1	SCREEN, INLET			
21	+	123116-10530	1	VALVE, THROTTLE			
22	+	123127-15030	2	RING			
23	+	P003-000130	1	THROTTLE, LEVER			
24	+	P003-000150	1	CHOKE, SHAFT			
28	+	123146-10631	1	PLUG, WELCH			
29	+	123112-15030	1	DIAPHRAGM, FUEL PUMP			
30	+	123125-15030	1	GASKET, FUEL PUMP			

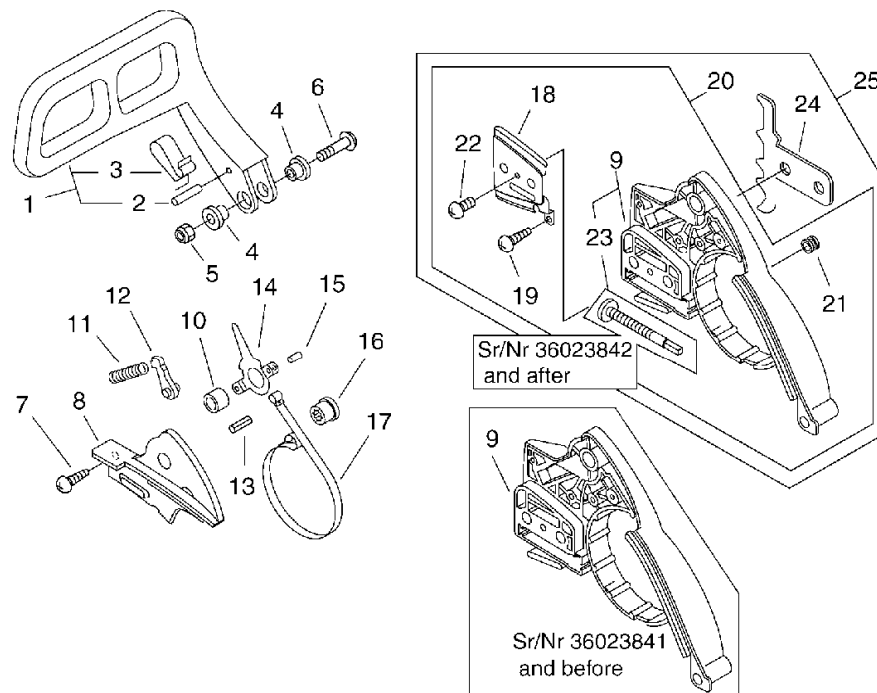
11. Carburetor



KEY	LV	PART NUMBER	Q'TY	DESCRIPTION	REMARKS	NOTE1	NOTE2
31	+	123124-38330	1	COVER, FUEL PUMP			
32	+	123110-03930	1	SCREW, PUMP COVER			
33	+	123178-15030	1	PLUG, FRICTION			
34	+	123133-04260	1	SPRING, IDLE ADJUST			
35	+	123134-04260	1	SCREW, IDLE ADJUST			
37	+	123149-26030	1	WASHER			

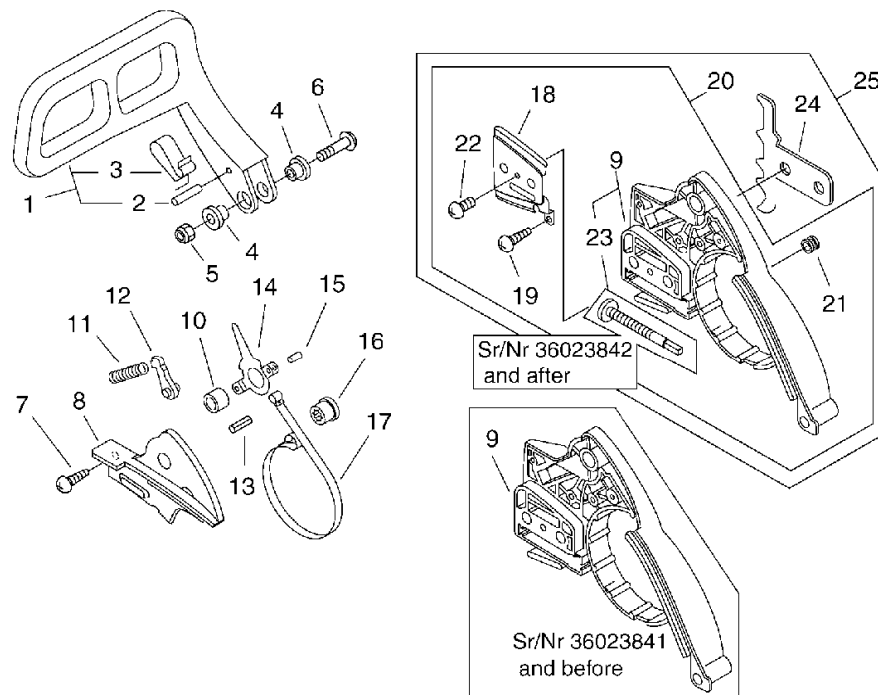


## 12. Chain Brake Assy



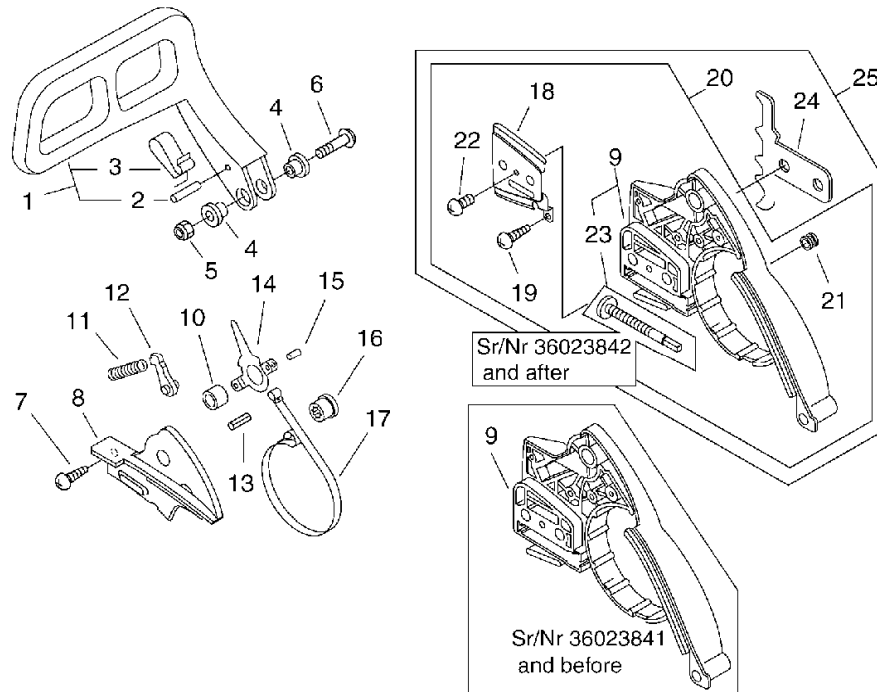
KEY	LV	PART NUMBER	Q'TY	DESCRIPTION	REMARKS	NOTE1	NOTE2
		C032-000016	1	BRAKE,ASM CHAIN		Sus. by P021-010142	
		C032-000017	1	BRAKE,ASM CHAIN		Sus. by P021-010142	
		P021-010140	1	BRAKE,ASM CHAIN		Sus. by P021-010142	
		P021-010141	1	BRAKE,ASM CHAIN		Sus. by P021-010142	
		P021-010142	1	BRAKE,ASM CHAIN			
1	+	433105-60030	1	LEVER, BRAKE			
2	++	900330-30240	1	PIN 3*24	3*23.8		
3	++	433114-38331	1	SPRING			
4	+	433167-39130	2	SPACER			
5	+	900560-00005	1	NUT, LOCK 5	5	Sus. by 900562-50005	
5	+	900562-50005	1	LOCKNUT 5	5		
6	+	91318-05032	1	SCREW	5*32		
7	+	900253-04010	2	SCREW 4*10	4*10		
8	+	433310-38330	1	COVER, BRAKE			
10	+	433115-38330	1	WASHER 5.2*12*14	5.2*12*14		
11	+	433122-35430	1	SPRING, BRAKE			
12	+	433209-35430	1	STOPPER, BRAKE			
13	+	900342-25012	1	PIN, SPRING 2.5*12	2.5*12		
14	+	433208-35431	1	LEVER, BRAKE			
15	+	900330-40088	1	ROLLER 4*8.8	4*8.8		
16	+	433142-35430	1	ADJUSTER, BRAKE			

## 12. Chain Brake Asy



KEY	LV	PART NUMBER	Q'TY	DESCRIPTION	REMARKS	NOTE1	NOTE2
17	+	C328-000060	1	BAND,BRAKE			
25	+	P021-010290	1	GUARD, SPROCKET SET		Sr/Nr 36023842 and after	
20	+	P021-001312	1	GUARD,SPROCKET SET		Sr/Nr 36023841 and before	
20	++	P021-001313	1	GUARD,SPROCKET SET		Sr/Nr 36023842 and after	
9	++	433005-60935	1	GUARD, SPROCKET		Sr/Nr 36023841 and before	
9	+++	P021-010170	1	GUARD, SPROCKET KIT		Sr/Nr 36023842 and after	
23	++++	V203-000110	1	BOLT,5		Can be used on the P021-010170 only	
18	++	C305-000011	1	PLATE,SPROCKET GUARD		Can be used on the P021-001312 only	
18	+++	C305-000011	1	PLATE,SPROCKET GUARD		Can be used on the P021-001313 only	
19	++	900253-04008	1	SCREW 4*8	4*8	Can be used on the P021-001312 only	
19	+++	900253-04008	1	SCREW 4*8	4*8	Can be used on the P021-001313 only	

12. Chain Brake Asy



KEY	LV	PART NUMBER	Q'TY	DESCRIPTION	REMARKS	NOTE1	NOTE2
21	++	V162-000020	1	PLUG		Can be used on the P021-001312 only	
21	+++	V162-000020	1	PLUG		Can be used on the P021-001313 only	
22	++	900220-03006	1	SCREW 3*6	3*6	Can be used on the P021-001312 only	
22	+++	900220-03006	1	SCREW 3*6	3*6	Can be used on the P021-001313 only	
24	++	C304-000020	1	SPIKED		Can be used on the P021-001313 only	

**Index**

<b>Patrs Number</b>	<b>Key No.</b>	<b>Patrs Number</b>	<b>Key No.</b>	<b>Patrs Number</b>	<b>Key No.</b>
100000-59531	1 - 8	123138-03930	11 - 7	132013-26630	10 - 11
100000-59531	2 - 8	123139-03930	11 - 6	132013-26630	7 - 33
100011-37330	1 - 9	123140-03930	11 - 4	132013-26630	8 - 33
100011-37330	2 - 9	123141-03930	11 - 3	132115-04920	7 - 17
100012-35430	1 - 12	123142-03930	11 - 2	132115-04920	8 - 17
100012-35430	2 - 12	123146-10631	11 - 28	132115-12330	10 - 12
100013-35430	1 - 10	123149-26030	11 - 37	145510-35431	3 - 35
100013-35430	2 - 10	123178-15030	11 - 33	145510-35431	4 - 35
100015-03931	1 - 11	129023-39930	3 - 15	145610-39930	3 - 34
100015-03931	2 - 11	129023-39930	4 - 15	145610-39930	4 - 34
100142-39130	1 - 13	130007-39931	3 - 6	145711-60631	3 - 32
100142-39130	2 - 13	130007-39931	4 - 6	145711-60631	4 - 32
100252-39930	7 - 25	130010-38330	3 - 7	151112-04630	5 - 1
100252-39930	8 - 25	130010-38330	4 - 7	151112-04630	6 - 1
100910-19730	7 - 22	130016-39930	1 - 4	156626-60630	5 - 6
100910-19730	8 - 22	130016-39930	2 - 4	156626-60630	6 - 6
100910-60030	1 - 32	130020-60630	1 - 36	156630-39930	5 - 8
100910-60030	2 - 32	130020-60630	2 - 36	156630-39930	6 - 8
100915-15131	7 - 29	130110-54430	3 - 8	156801-60630	5 - 10
100915-15131	8 - 29	130110-54430	4 - 8	156801-60630	6 - 10
100915-33930	1 - 31	130300-39730	3 - 10	159010-10230	5 - 3
100915-33930	2 - 31	130300-39730	4 - 10	159010-10230	6 - 3
100918-19830	1 - 30	130301-39931	3 - 11	159017-31730	5 - 3
100918-19830	2 - 30	130301-39932	3 - 11	159118-39930	5 - 2
100918-19830	7 - 24	130301-39933	3 - 11	159118-39930	6 - 2
100918-19830	8 - 24	130301-39935	4 - 11	162011-60630	1 - 37
101520-35430	1 - 23	130338-32430	1 - 51	162011-60630	2 - 37
101520-35430	1 - 29	130338-32430	2 - 51	163400-35430	3 - 25
101520-35430	2 - 23	130366-39930	3 - 4	163400-35430	4 - 25
101520-35430	2 - 29	130366-39930	4 - 4	163413-59530	3 - 36
101535-39932	5 - 18	130405-38331	3 - 9	163413-59530	4 - 36
101535-39933	6 - 18	130405-38332	4 - 9	163810-59532	3 - 29
123110-03930	11 - 32	130510-39932	1 - 3	163810-59533	3 - 29
123112-15030	11 - 29	130510-39932	2 - 3	163810-59534	3 - 29
123113-37530	11 - 19	131004-37932	7 - 14	163810-59535	3 - 29
123114-38830	11 - 11	131004-37932	8 - 14	163810-59535	4 - 29
123116-10530	11 - 21	131205-19830	7 - 19	163890-38330	1 - 20
123120-03661	11 - 15	131205-19830	8 - 19	163890-38330	2 - 20
123122-39330	11 - 8	131300-56430	7 - 35	175012-00831	9 - 33
123123-03930	11 - 5	131300-56430	8 - 35	175019-38330	9 - 36
123124-38330	11 - 31	131328-40630	7 - 34	175019-39430	9 - 59
123125-15030	11 - 30	131328-40630	8 - 34	175310-38330	10 - 10
123126-10631	11 - 20	132010-00760	7 - 18	177218-35430	5 - 15
123127-15030	10 - 23	132010-00760	8 - 18	177218-35430	6 - 15
123127-15030	11 - 22	132012-39930	7 - 31	177234-35430	5 - 13
123130-02960	11 - 1	132012-39930	8 - 31	177234-35430	6 - 13
123133-04260	11 - 34	132012-39931	8 - 31	177246-11120	5 - 25
123134-04260	11 - 35	132013-09820	7 - 20	177246-11120	6 - 25
123137-19830	11 - 9	132013-09820	8 - 20	177247-04630	5 - 14

**Index**

<b>Patrs Number</b>	<b>Key No.</b>	<b>Patrs Number</b>	<b>Key No.</b>	<b>Patrs Number</b>	<b>Key No.</b>
177247-04630	6 - 14	436001-65631	1 - 40	900220-03006	12 - 22
178043-35430	7 - 9	436114-13930	1 - 39	900220-03006	12 - 22
178043-35430	8 - 9	436114-13930	2 - 39	900220-03006	9 - 17
178090-37930	7 - 7	436205-14730	10 - 14	900220-03006	9 - 17
178090-37930	8 - 7	437002-38330	10 - 15	900223-04016	10 - 25
178510-38331	3 - 26	437015-37330	10 - 18	900238-04016	5 - 29
178810-14532	3 - 27	437016-38330	10 - 16	900238-04016	6 - 29
178810-14533	3 - 27	437019-38330	10 - 22	900238-05012	1 - 2
178810-14534	3 - 27	437024-37330	10 - 19	900238-05012	2 - 2
178810-14534	4 - 27	437029-37330	10 - 17	900253-04008	1 - 34
351103-39933	7 - 30	437062-38330	10 - 21	900253-04008	12 - 19
351103-39934	7 - 30	437063-38330	1 - 17	900253-04008	12 - 19
351103-39934	8 - 30	437063-38330	2 - 17	900253-04008	2 - 34
351111-19830	7 - 11	437210-35430	10 - 13	900253-04008	9 - 19
351111-19830	8 - 11	437210-39931	10 - 5	900253-04008	9 - 19
351134-39930	3 - 23	606416-60631	1 - 35	900253-04008	9 - 19
351134-39930	4 - 23	606416-60631	2 - 35	900253-04010	12 - 7
351155-35430	7 - 6	880210-36031	9 - 50	900253-04010	9 - 38
351155-35430	8 - 6	890118-49330	5 - 30	900253-04014	7 - 5
430521-37331	9 - 54	890118-49330	6 - 30	900253-04014	8 - 5
430521-37332	9 - 54	890157-39130	3 - 24	900253-05016	3 - 13
433000-60930	1 - 27	890157-39130	4 - 24	900253-05016	4 - 13
433000-60930	2 - 27	890316-39130	9 - 49	900253-05020	1 - 28
433005-60935	12 - 9	890345-39230	1 - 43	900253-05020	2 - 28
433005-60935	9 - 47	890345-39230	2 - 43	900330-30240	12 - 2
433011-19830	1 - 38	890631-38130	1 - 45	900330-30240	9 - 6
433011-19830	2 - 38	890631-38130	2 - 45	900330-40088	12 - 15
433012-39930	9 - 20	895410-02830	10 - 31	900330-40088	9 - 43
433019-12330	9 - 24	895812-03930	10 - 32	900342-25012	12 - 13
433105-60030	12 - 1	898510-39130	10 - 30	900342-25012	9 - 41
433105-60030	9 - 5	898513-38330	10 - 33	900345-40030	7 - 10
433114-38331	12 - 3	898568-14530	10 - 34	900345-40030	8 - 10
433114-38331	9 - 7	900105-04006	3 - 31	900500-00008	5 - 12
433115-38330	12 - 10	900105-04006	4 - 31	900500-00008	6 - 12
433115-38330	9 - 48	900105-04020	7 - 23	900560-00005	12 - 5
433122-35430	12 - 11	900105-04020	8 - 23	900560-00005	9 - 10
433122-35430	9 - 39	900105-05014	3 - 33	900562-50005	12 - 5
433142-35430	12 - 16	900105-05014	4 - 33	900562-50005	9 - 10
433142-35430	9 - 44	900105-05014	5 - 17	900600-00005	3 - 22
433167-39130	12 - 4	900162-05022	1 - 6	900600-00005	4 - 22
433167-39130	9 - 9	900162-05022	2 - 6	900603-00005	5 - 16
433208-35431	12 - 14	900162-05022	5 - 7	900603-00005	6 - 16
433208-35431	9 - 42	900162-05022	6 - 7	900605-00008	5 - 11
433209-35430	12 - 12	900162-05030	1 - 7	900605-00008	6 - 11
433209-35430	9 - 40	900162-05030	2 - 7	900720-00022	7 - 16
433310-38330	12 - 8	900162-05050	3 - 12	900720-00022	8 - 16
433310-38330	9 - 46	900162-05050	4 - 12	900721-00025	1 - 42
436001-39232	1 - 40	900216-04006	5 - 9	900721-00025	2 - 42
436001-39232	2 - 40	900216-04006	6 - 9	900725-02025	1 - 42

**Index**

<b>Patrs Number</b>	<b>Key No.</b>	<b>Patrs Number</b>	<b>Key No.</b>	<b>Patrs Number</b>	<b>Key No.</b>
900888-36201	1 - 15	C328-000060	9 - 45	V162-000020	12 - 21
900888-36201	2 - 15	C400-000190	7 - 26	V162-000020	9 - 52
91145-05016	7 - 28	C400-000190	8 - 26	V162-000020	9 - 52
91145-05016	8 - 28	C450-000000	7 - 8	V162-000040	7 - 13
91145-05020	7 - 27	C450-000000	8 - 8	V162-000040	8 - 13
91145-05020	8 - 27	C454-000011	3 - 28	V203-000041	9 - 12
91318-05032	12 - 6	C454-000012	3 - 28	V203-000090	5 - 17
91318-05032	9 - 11	C454-000012	4 - 28	V203-000090	6 - 17
A021-000220	11 -	P003-000010	11 - 16	V203-000110	12 - 23
A021-000220	3 - 14	P003-000130	11 - 23	V203-000110	9 - 12
A021-000220	4 - 14	P003-000140	11 - 13	V355-000270	9 - 15
A051-000581	5 - 19	P003-000150	11 - 24	V451-000500	9 - 57
A051-000581	6 - 19	P003-000160	11 - 12	V505-000010	1 - 16
A160-000014	1 - 50	P003-000230	11 - 10	V505-000010	2 - 16
A160-000015	2 - 50	P003-000480	11 - 18	V651-000001	9 - 16
A232-000020	1 - 48	P021-001312	12 - 20	V651-000011	9 - 14
A232-000021	1 - 48	P021-001312	9 - 51	X502-000020	9 - 53
A232-000021	2 - 48	P021-001313	12 - 20	X502-000120	5 - 30
A232-000022	2 - 48	P021-001313	9 - 51	X503-006140	1 - 44
A232-000023	2 - 48	P021-004131	1 - 5	X503-006141	1 - 44
A235-000020	1 - 47	P021-004131	2 - 5	X503-006141	2 - 44
A235-000020	2 - 47	P021-007050	9 - 58	X530-000210	6 - 31
A241-000100	3 - 26	P021-007060	9 - 55		
A241-000100	4 - 26	P021-007180	1 - 33		
A365-000050	1 - 41	P021-007180	2 - 33		
A365-000050	2 - 41	P021-007181	1 - 33		
A365-000050	7 - 15	P021-007240	1 - 14		
A365-000050	8 - 15	P021-007240	2 - 14		
A426-000010	5 - 4	P021-010140	12 -		
A426-000010	6 - 4	P021-010141	12 -		
A427-000011	5 - 5	P021-010142	12 -		
A427-000012	5 - 5	P021-010170	12 - 9		
A427-000012	6 - 5	P021-010170	9 - 47		
A500-000151	5 - 27	P021-010290	12 - 25		
A500-000151	6 - 27	P021-010290	9 - 60		
A507-000010	5 - 21	P021-013410	8 - 30		
A507-000010	6 - 21	P022-001320	5 - 26		
A552-000060	9 - 56	P022-001320	6 - 26		
A556-000171	9 - 34	P022-004630	5 - 20		
C032-000016	12 -	P022-004630	6 - 20		
C032-000017	12 -	P022-006230	5 - 22		
C304-000020	12 - 24	P022-006230	6 - 22		
C304-000020	9 - 50	P022-006240	5 - 23		
C305-000011	12 - 18	P022-006240	6 - 23		
C305-000011	12 - 18	P022-006250	5 - 24		
C305-000011	9 - 18	P022-006250	6 - 24		
C305-000011	9 - 18	V135-000010	1 - 49		
C309-000030	9 - 13	V135-000010	2 - 49		
C328-000060	12 - 17	V162-000020	12 - 21		

# YAMABIKO CORPORATION

7-2 SUEHIROCHO 1-CHOME, OHME, TOKYO 198-8760, JAPAN  
PHONE: 81-428-32-6118. FAX: 81-428-32-6145.

