

Liste de pièces détachées Eclaté perforateur BACHD 36 V

Code article / Article No.:

34238

Langues / Languages:

fr

Une question, un renseignement ?

Notre **Centre de Relation Clients** est à votre écoute au

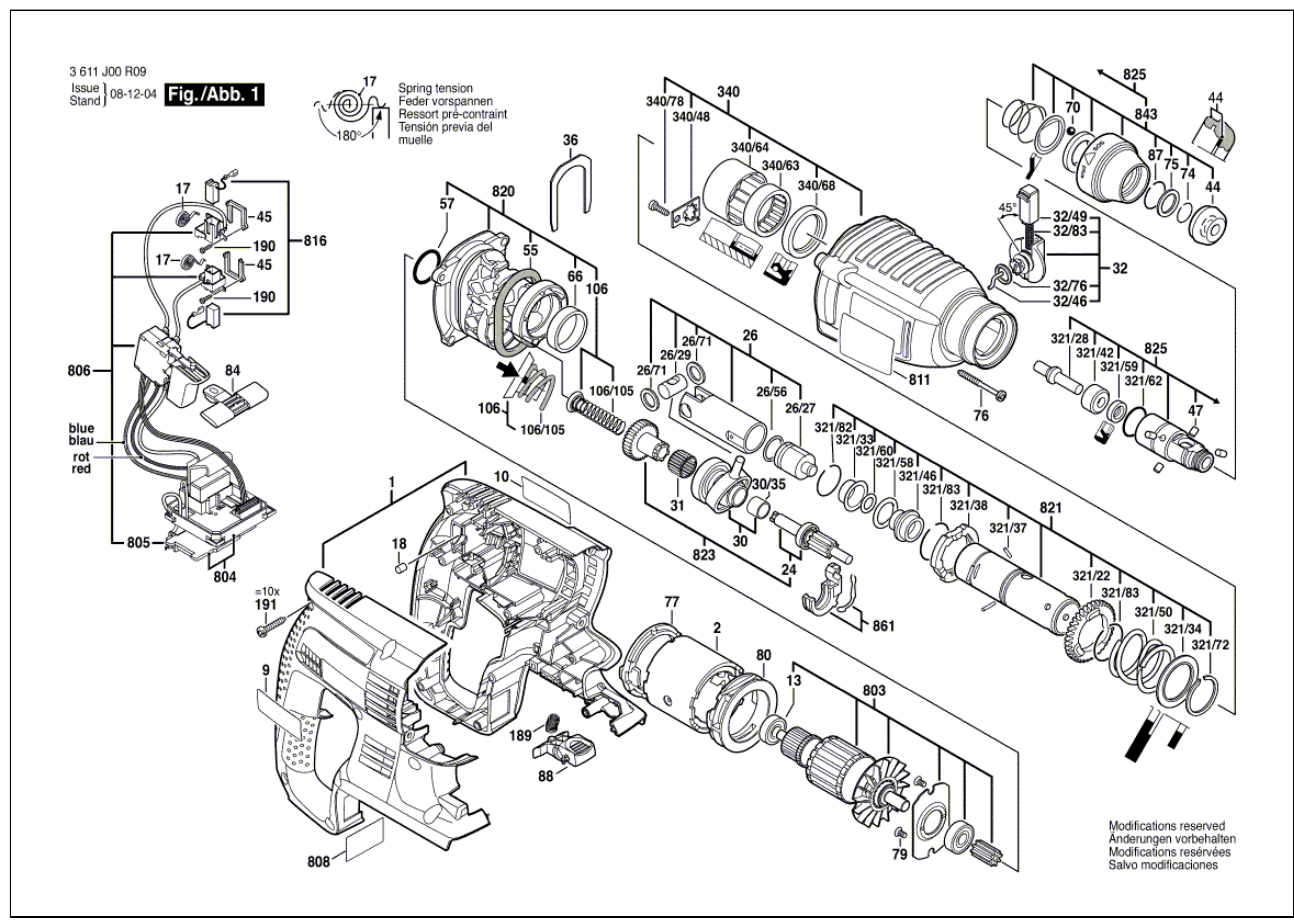


Du lundi au vendredi de 7h15 à 17h.

CORDLESS PNEUMATIC HAMMER

3 611 J00 R09 BACHD-36V LI

30.06.2009 08:06:15



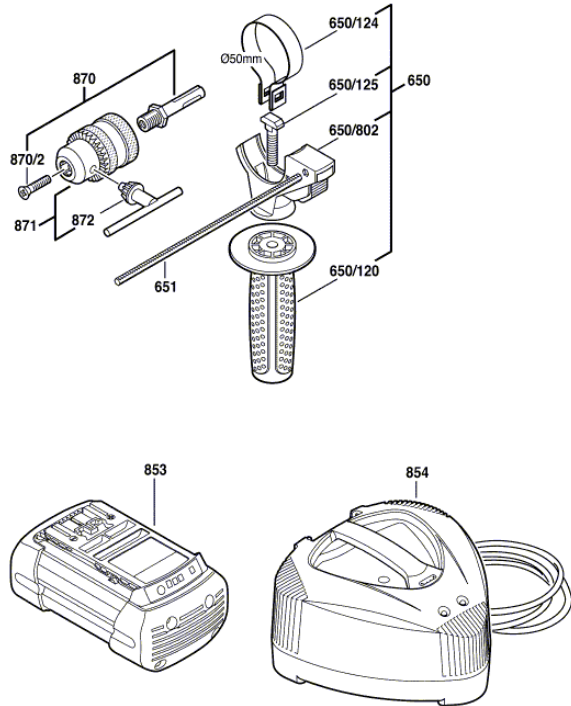
Item	Quantity	Order No.	Designation	Price group	Page
1	1	1 615 108 148	MOTOR HOUSING / ULTRAMARINE BLUE	33	1
2	1	1 615 100 009	STATOR FRAME / 14,4-24V	29	1
9	1	1 611 110 Y85	MANUFACTURER'S NAMEPLATE	13	1
10	1	1 611 110 Y86	MANUFACTURER'S NAMEPLATE	13	1
13	1	2 600 905 052	DEEP-GROOVE BALL BEARING / 8x22x7MM	20	1
17	2	1 614 652 006	SPIRAL SPRING	14	1
18	1	2 603 100 056	RUBBER BUFFER	11	1
24	1	1 617 000 556	TOOTHED SHAFT	36	1
26	1	1 617 000 557	HAMMER PISTON	36	1
26/27	1	1 610 311 018	STRIKER	27	1
26/29	1	1 613 105 012	PISTON PIN	15	1
26/56	1	1 610 210 187	O-RING	12	1
26/71	2	1 610 101 011	SHIM RING	11	1
30	1	1 615 819 028	DRIVE END SHIELD	35	1
30/35	1	1 610 202 024	PLAIN BEARING	17	1
31	1	1 610 913 016	NEEDLE-ROLLER ASSEMBLY	15	1
32	1	1 612 026 101	CLAMP HANDLE / LIGHT GREY	24	1
32/46	1	1 614 690 002	DRIVER PIN	11	1
32/49	1	1 612 026 035	SWITCH BUTTON / RED	11	1
32/76	1	1 610 210 046	O-RING / 2,7x10,5 MM	11	1
32/83	1	1 614 611 006	COMPRESSION SPRING	15	1
36	1	1 611 016 003	HOLDING PLATE	12	1
44	1	1 610 508 047	PROTECTIVE CAP	12	1
45	2	1 601 010 058	INSULATING PLATE	18	1
47	4	1 613 100 030	NEEDLE ROLLER	14	1
55	1	1 610 290 226	SEAL RING	15	1

57	1	1 610 210 068	O-RING	11	1
66	1	1 610 202 021	PLAIN BEARING	13	1
70	1	1 903 230 013	BALL / DIN 5401-Ø7MM-III-ST	10	1
74	1	1 614 601 027	RETAINING RING	10	1
75	1	1 610 101 629	RETAINING WASHER	10	1
76	4	1 613 435 022	THREAD-FORMING TAP. SCREW	10	1
77	1	1 610 290 043	LOCATING RING	11	1
79	2	1 613 435 023	THREAD-FORMING TAP. SCREW	10	1
80	1	1 610 290 084	LOCATING RING	19	1
84	1	1 613 231 019	SWITCH SLIDE / GRAY	12	1
87	1	2 916 540 012	RETAINING RING / DIN 7993-A22	13	1
88	1	1 615 190 149	PUSH-BUTTON	13	1
106	1	1 614 611 022	PLAIN BEARING	13	1
106/105	1	1 614 611 021	COMPRESSION SPRING	11	1
189	1	1 614 610 015	COMPRESSION SPRING	15	1
190	2	2 603 490 017	TORX OVAL-HEAD SCREW / 3x10	10	1
191	10	2 603 490 023	LENS HEAD SCREW / 4x20,0x7,5x2,6	10	1
321/22	1	1 616 312 004	CYLINDRICAL GEAR	24	1
321/28	1	1 613 124 081	STRIKER PIN	21	1
321/33	1	1 610 590 014	HOLDING JACKET	12	1
321/34	1	1 610 190 049	SUPPORTING DISC	12	1
321/37	3	1 613 100 019	STRAIGHT PIN / DIN6325-2,5x12-RIKO	11	1
321/38	1	1 610 190 048	CATCH DISK	17	1
321/42	1	1 610 102 073	THRUST RING	16	1
321/46	1	1 610 390 051	GUIDE BUSHING	19	1
321/50	1	1 614 611 020	COMPRESSION SPRING	14	1
321/58	1	1 610 210 178	O-RING	11	1
321/59	1	1 610 283 035	ROTARY SHAFT LIP SEAL	17	1
321/60	1	1 610 210 176	O-RING	10	1
321/62	1	1 610 210 179	O-RING	11	1
321/72	1	1 604 601 027	RETAINING RING	10	1
321/82	1	1 614 601 034	RETAINING RING	12	1
321/83	2	1 604 601 028	RETAINING RING / A22 DIN 7993	10	1
340	1	1 617 000 V83	GEAR HOUSING / BLACK	35	1
340/48	1	1 611 098 008	TAB WASHER	12	1
340/63	1	1 610 910 063	NEEDLE BUSH / Ø30xØ37x12 MM	18	1
340/64	1	1 610 390 053	BUSHING	22	1
340/68	1	1 610 283 036	ROTARY SHAFT LIP SEAL	20	1
340/78	1	2 603 490 022	TORX OVAL-HEAD SCREW / M 4x16	10	1
650	1	1 612 025 068	AUXILIARY HANDLE	28	2
650/120	1	1 612 025 058	AUXILIARY HANDLE / M8 / BLACK	19	2
650/124	1	1 611 316 021	CLAMPING BAND / Ø 50 MM	14	2
650/125	1	1 613 490 002	T-HEAD BOLT / M 8x40 MM	13	2
650/802	1	1 617 000 476	AUXILIARY HANDLE	14	2
651	1	1 613 001 009	DEPTH-GAUGE / SW 6x210 MM	15	2
803	1	1 617 000 473	ARMATURE WITH FAN	46	1
804	1	1 617 000 890	ELECTRONICS MODULE	46	1
805	1	1 609 280 425	CONTACT RETAINER	26	1
806	1	1 617 000 V87	ON-OFF SWITCH	38	1
808	1	1 611 104 997	NAMEPLATE / 26x42 MM	15	1
811	1	1 611 110 Y46	REFERENCE PLATE	15	1
816	1	1 617 014 142	CARBON-BRUSH SET	22	1
820	1	1 617 000 883	INTERMEDIATE FLANGE	34	1
821	1	1 617 000 564	PIPE	41	1
823	1	1 617 000 884	TOOTHED SHAFT	37	1
825	1	1 617 000 598	TOOL HOLDING FIXTURE	41	1
843	1	1 617 000 582	PROTECTION SLEEVE	24	1
853	1	2 607 336 069	ACCUMULATOR BATTERY / 36V, Ah, Li, XL	57	2
854	1	2 607 225 313	FAST CHARGER / EU 230/36V,1h	47	2
861	1	1 615 820 097	SWITCHING ELEMENT	15	1
870	1	1 613 523 011	DRILL CHUCK SHANK / 1/2", SDS-Plus	30	2

870/2	1	2 603 421 207	COUNTERSUNK-HEAD SCREW / M6x27-KØ11 / LEFTHAND THREADS	11	2
871	1	1 608 571 088	CHUCK	32	2
872	1	2 607 950 007	CHUCK WRENCH / SG2	18	2

3 611 J00 R09
Issue | 08-12-04
Stand |

Fig./Abb. 2



Modifications reserved
Änderungen vorbehalten
Modifications réservées
Salvo modificaciones

3 611 J00 R09
Issue | 08-12-04
Stand |

Fig./Abb. S

Austrastmoment min. 20 Nm - 28 Nm
Slipping point of clutch min. 20 Nm - 28 Nm
Bei 18 Nm und weniger - Kupplung ersetzen!
By 18 Nm and less - replace slipping clutch!

