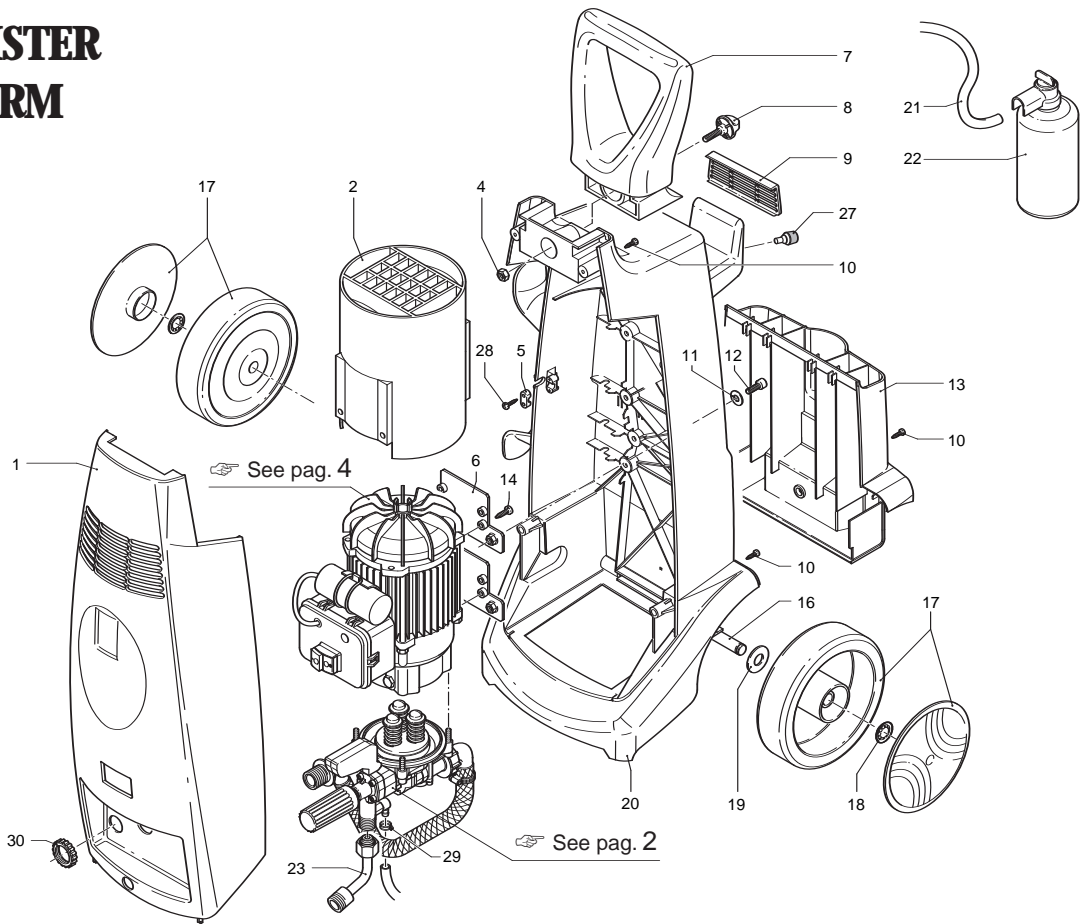


MAC ALLISTER 145 XTRM



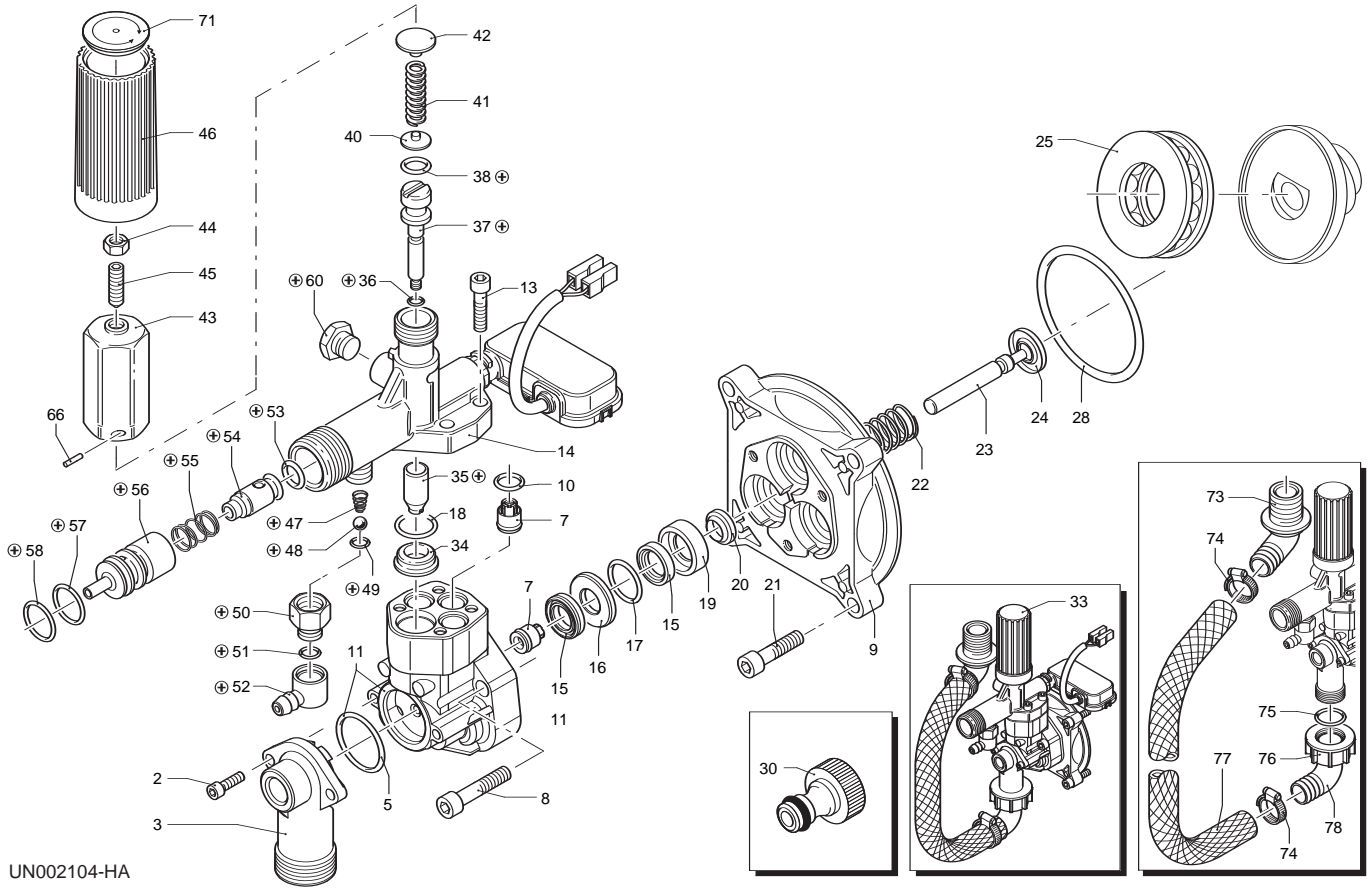
UN002103-HA

Pos.	Cod. Part n°	Denominazione	Description	Q.tà Q.ty	Note Vedi / See
1	2180421	Cofano anteriore	Ant. casing	1	
2	1460340	Convogliatore	Conveyor	1	
4	390440	Dado M 6	Nut	1	
5	1263020	Ponte serraggio	Cable clip	1	
6	2320250	Piastra fissaggio	Fixing plate	2	
7	2180040	Manico	Handle	1	
8	2180060	Galletto	Butterfly nut	1	
9	2180090	Griglia posteriore	Rear cover	1	
10	1261560	Vite autof. 3,9x16	Screw	7	
11	2180300	Rondella øi 6,2xøe15x3	Washer	6	
12	1343510	Vite TCEI M 6x14	Screw	4	
13	2180050	Portaccessori	Accessories carrier	1	
14	2320310	Vite autof.M 5x20	Screw	4	
16	2180080	Assale ruote	Wheels axle	1	
17	2180140	Ruota ø175+copriruota	Driven gear	2	
18	1680880	Rondella	Washer	2	
19	1680890	Rondella øi 12,5x48x2,5	Washer	2	
20	2180360	Corpo principale	Body	1	
21	2180150	Tubo detergente cristallo	Detergent hose	1	
22	40008	Serbatoio detergente	Detergent tank	1	
23	2320260	Raccordo M 22	Fitting	1	
27	2180330	Gommino	Rubber feet	2	
28	2000110	Vite autof. 3,5x16	Screw	2	
29	2020940	Fascetta	Clamp	1	
30	2180740	Ghiera	Ring nut	1	

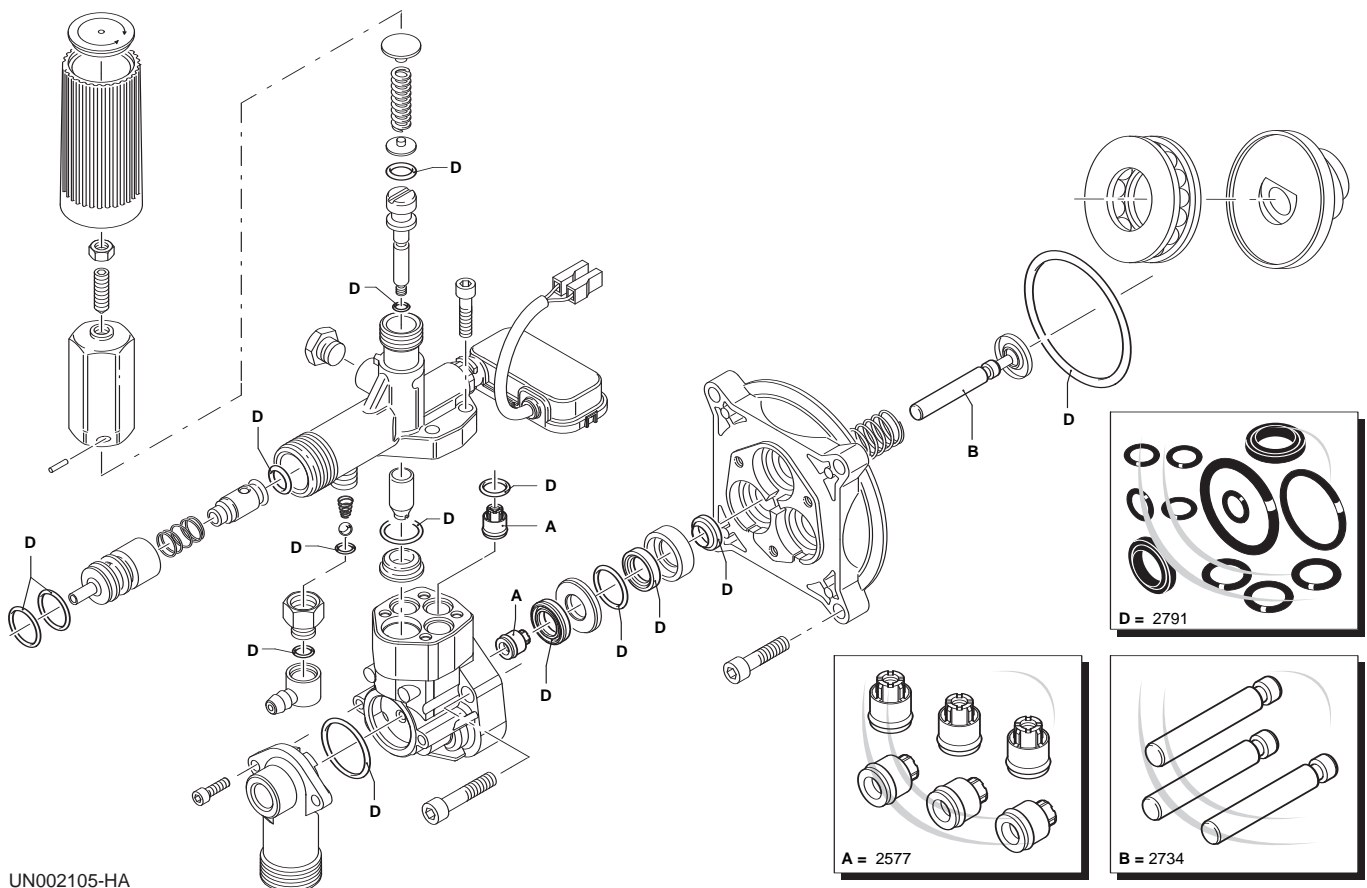
MAC ALLISTER 145 XTRM

Legenda

per
for **MAC ALLISTER 145 XTRM**



UN002104-HA



UN002105-HA

MODELLO / MODEL: MAC ALLISTER 145 XTRM

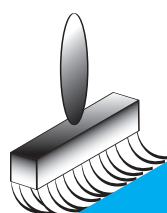
Pos.	Cod. Part n°	Denominazione	Description	Q.tà Q.ty	Note Vedi / See	Pos.	Cod. Part n°	Denominazione	Description	Q.tà Q.ty	Note Vedi / See
2	2101000	Vite TCEI M4x15	Screw	2	Autoformante	52	2320180	Portagomma	Hose tail	1	
3	2100610	Raccordo aspirazione	Suction fitting	1		53	1460430	OR ø 4x2,5	O-Ring	1	
5	550350	OR ø 23,81x2,62	O-Ring	1		54	1460260	Pistone	Piston	1	
7	2109051	Valvola completa	Complete valve	6		55	1540140	Molla	Spring	1	
8	850850	Vite TCEI M 6x30	Screw	3		56	2021540	Iniettore detergente	Detergent injector	1	
9	2020120	Guida pistone ø 12	Piston guide	1		57	820510	OR ø 10,82x1,78	O-Ring	1	
10	880840	OR ø 9,25x1,78	O-Ring	3		58	1465720	OR ø 9,75x1,78	O-Ring	1	
11	2123	Testa pompa + OR	Pump head + O-Ring	1		60	620301	Tappo 1/8" G	Plug	1	
13	1260760	Vite TCEI M5x20	Screw	4	Autoformante	66	1080070	Spina	Pin	1	
	2240	Kit racc. mandata + TSS	Outlet fitting + TSS kit	1		71	1981770	Tappo manopola	Knob plug	1	
15	2200140	Guam. 12x20	Gasket	6		73	2180720	Raccordo 3/4" G	Fitting	1	
16	2320080	Anello app. guam. ø 12	Support ring	3		74	1140690	Fascetta	Clamp	2	
17	2021740	OR ø 21,5x2	O-Ring	3		75	2000520	OR ø 18x3	O-Ring	1	
18	394280	OR ø 12,42x1,78	O-Ring	1		76	550450	Girello 3/4" G	Ring nut	1	
19	2320070	Boccola ø 12	Bushing	3		77	2180730	Tube	Hose	1	
20	1683500	Anello tenuta	Seal	3		78	550460	Curva ø 18	Elbow	1	
21	2200210	Vite M 6x25	Screw	4	Autoformante						
22	2020150	Molla	Spring	3							
23	2020130	Pistone ø 12	Piston	3							
24	2020140	Piattello portamolla	Spring plate	3							
25	2021570	Cuscinetto	Bearing	1							
28	1680680	OR ø 95x2	O-Ring	1							
30	1470830	Innesto raccordo+filtro	Attachment for tap+strainer	1	3/4" G(F)						
33	2243	Kit prem. pompa + TSS	Pump assembly + TSS kit	1							
34	2020481	Sede valvola	Valve seat	1							
35	1460150	Pistone inferiore	Lower piston	1							
36	1080190	OR ø 2,90x1,78	O-Ring	1							
37	1460140	Pistone superiore	Upper piston	1							
38	600180	OR ø 7,66x1,78	O-Ring	1							
40	1343450	Piattello molla	Spring plate	1							
41	1460190	Molla	Spring	1							
42	1343000	Piattello molla	Spring plate	1							
43	1980390	Inserito manopola	Knob insert	1							
44	1060120	Dado M 6	Nut	1							
45	392840	Grano M 6x16	Grub screw	1							
46	1981780	Manopola	Knob	1							
47	1250270	Molla valvola	Spring	1							
48	1250280	Sfera	Ball	1							
49	480480	OR ø 4,48x1,78	O-Ring	1							
50	2320210	Raccordo	Fitting	1							
51	480560	OR ø 6,75x1,78	O-Ring	1							

KIT RICAMBI / PART KITS

A=KIT 2577 valvole valves		B=KIT 2734 pistoni pistons					
Pos.	Q.ty	Pos.	Q.ty	Pos.	Q.ty	Pos.	Q.ty
7	6	23	3				
D=KIT 2791 tenute gaskets							
Pos.	Q.ty	Pos.	Q.ty	Pos.	Q.ty	Pos.	Q.ty
5	1	36	1	58	1		
10	3	38	1				
15	6	39	1				
17	3	49	1				
18	1	51	1				
20	3	53	1				
28	1	57	1				

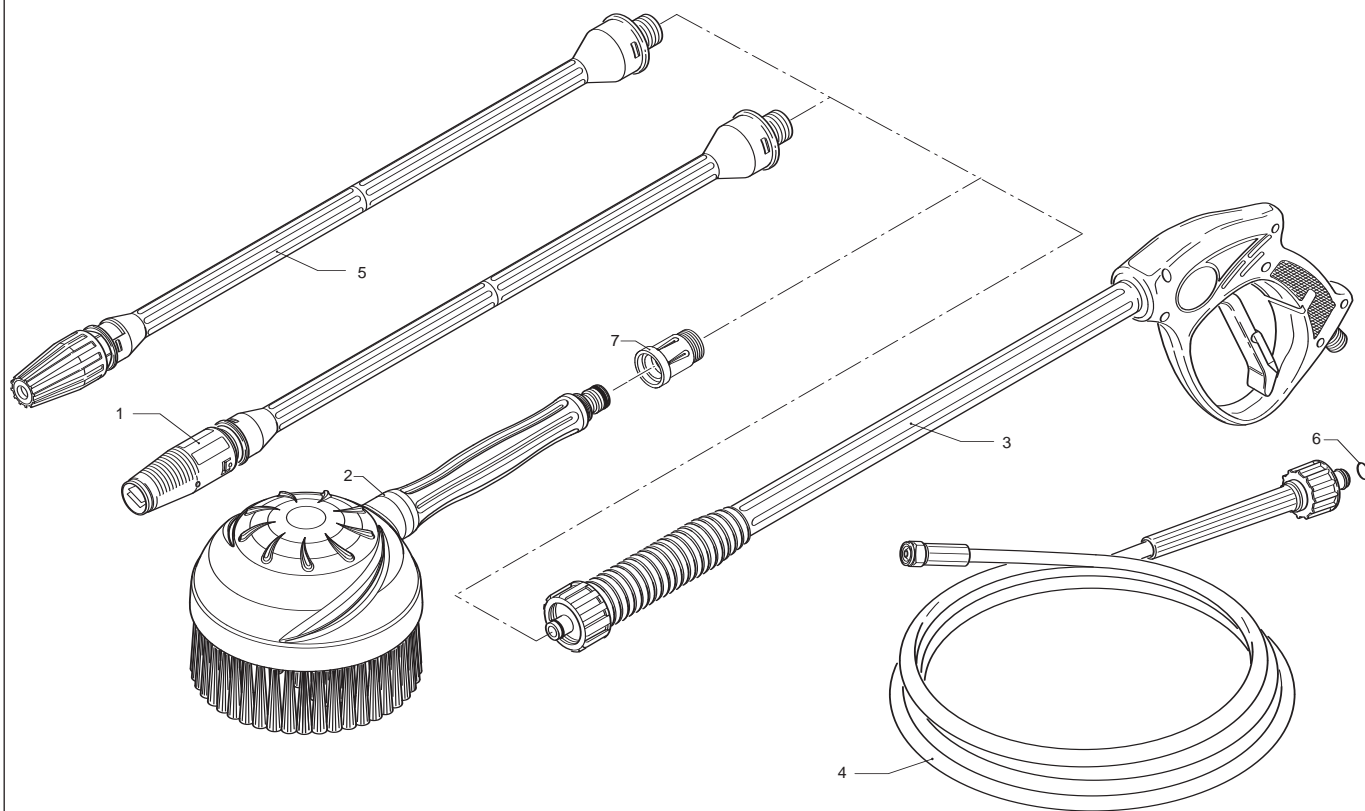
Legenda

- ⊕ Compreso nel Kit racc. mandata + TSS cod. 2240
Part of Outlet fitting + TSS kit part n° 2240



Ricambi consigliati
Recommended parts

per
for **MAC ALLISTER 145 XTRM**



UN002107-HA

5

Pos.	Cod. Part n°	Denominazione	Description	Q.tà Q.ty	Note Vedi / See	Pos.	Cod. Part n°	Denominazione	Description	Q.tà Q.ty	Note Vedi / See
1	40206	Testina+lancia ø 1,04	Head + lance ø 1,04	1							
2	40372	Spazzola rotante	Rotating brush	1							
3	40171	Pistola	Gun	1							
4	1470820	Tubo di mandata	High pressure hose	1	9,5 m						
5	40151	Rotopower	Rotopower	1							
6	2000770	OR ø 10x2	O-Ring	1							
7	40326	Raccordo	Fitting	1							